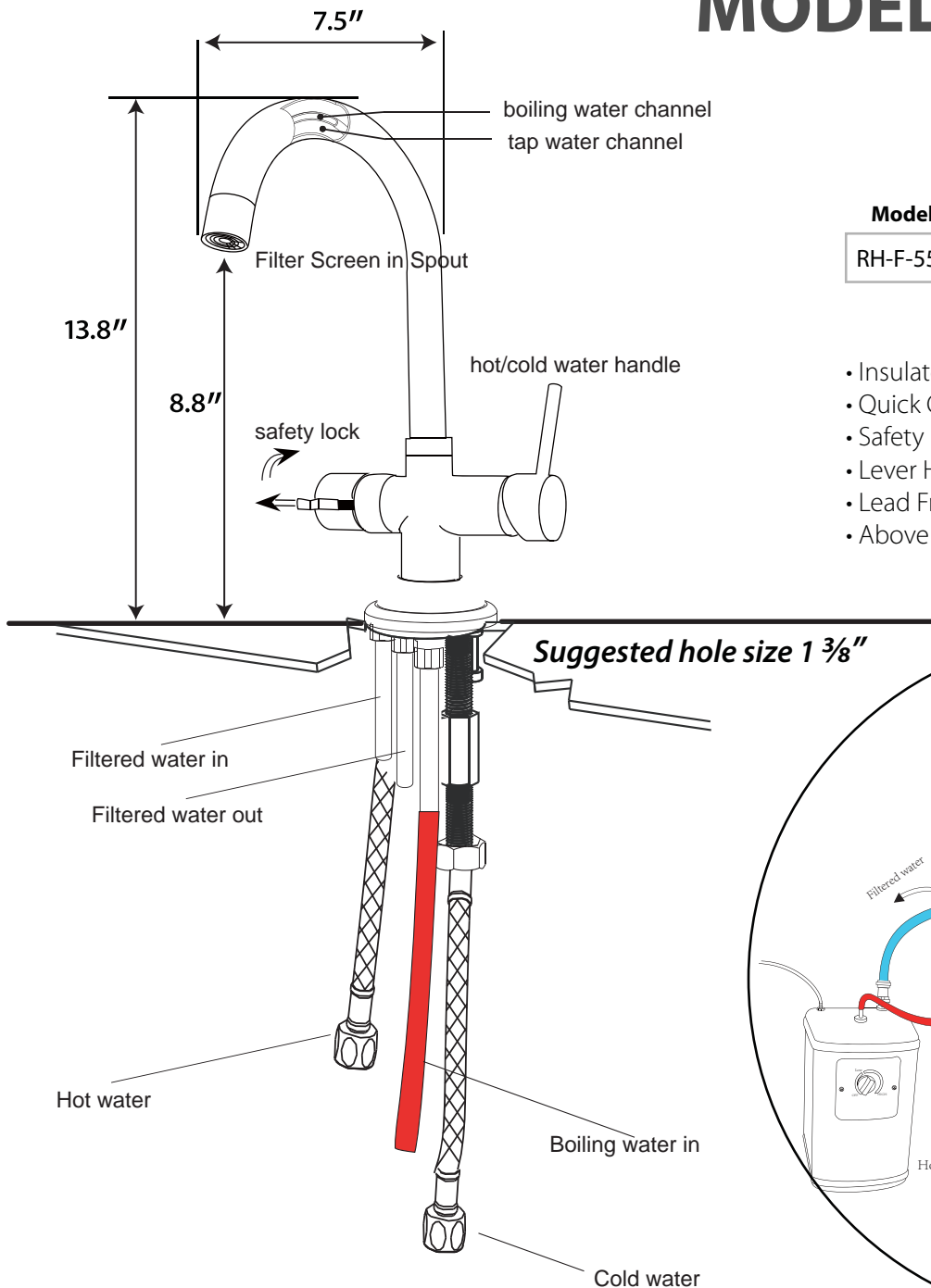


# MODEL# RH-F-550-SK

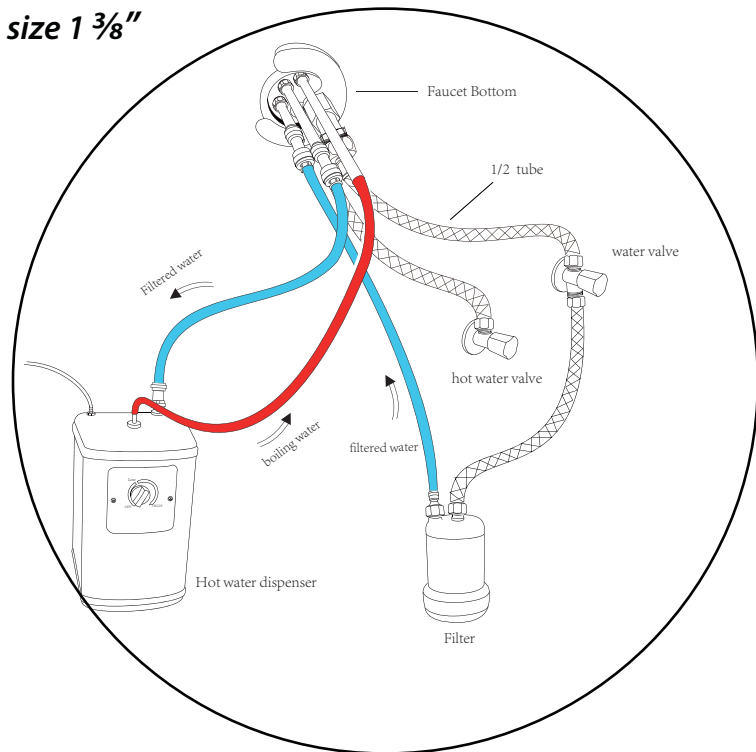
*3-Way Faucet*

(Mixer Hot/Cold & Near-boiling Water)



Model #	Finish	Type
RH-F-550-SK-CH	Chrome	3-Way

- Insulated Faucet
- Quick Connector Attached
- Safety Lock Loaded On The Hot Water Handle
- Lever Handle
- Lead Free
- Above Sink Installation System



MAXIMUM recommended line pressure for this product is 75 PSI. Pressure above 75 PSI indicates the absence of a properly functioning water pressure regulator at the property. Excessive water pressure poses a risk of property damage to you. Problems due to excessive water pressure are NOT covered by this product's warranty. BEFORE installation of any Ready Hot product, confirm that water supply pressure does not exceed 75 PSI. Questions? Contact Joneca Corporation at 888-856-6322.

