

Joneca Corporation



FOOD WASTE DISPOSER INSTRUCTION MANUAL (1-4)

BROYEUR À DÉCHETS MANUEL D'UTILISATION (5-8)

MANUAL DE INSTRUCCIONES DEL TRITURADOR DE ESPERDICIOS DE ALIMENTOS (9-12)

Food Waste Disposer Instruction Manual

- NOTE:** This Food Waste Disposer has been designed to operate on 110-120 Volt, 60 Hz exclusively. Using any other voltage or Hz adversely affects performance.
- IMPORTANT:** Read all instructions thoroughly. Keep this guide for future reference.
- CAUTION:** Be sure to review SAFETY INSTRUCTIONS FIRST PERTAINING TO A RISK OF FIRE, ELECTRICAL SHOCK OR INJURY TO PERSONS before using disposer.

Record important disposer information here

Model Number* _____ **Serial Number*** _____

*Above information appears on the label affixed to bottom of the disposer. For your convenience, write down the model and serial numbers prior to installation. **Proof of purchase is required for Warranty.** Staple receipt or proof of purchase to this manual for easy reference. Warranty non-transferable.

IMPORTANT SAFETY INSTRUCTIONS

INSTRUCTIONS PERTAINING TO A RISK OF FIRE, ELECTRIC SHOCK OR INJURY TO PERSONS. SAVE THESE INSTRUCTIONS.

WARNING – When using electrical appliances, basic precautions should always be followed, including the following:

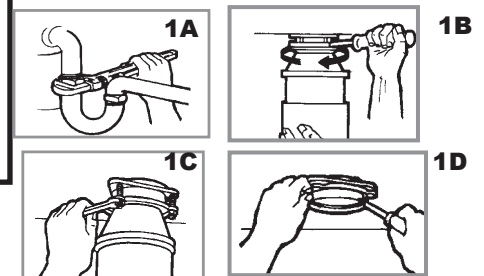
1. Read all instructions before using the appliance.
2. To reduce the risk of injury, close supervision is necessary when an appliance is used near children.
3. Do not put fingers or hands into a waste disposer.
4. Turn the power switch to the off position before attempting to clear a jam or remove an object from the disposer.
5. When attempting to loosen a jam in a waste disposer, use a long wooden object such as a wooden spoon or the wooden handle of a broom or mop.
6. When attempting to remove objects from a waste disposer use long-handled tongs or pliers. If the disposer is magnetically actuated, non-magnetic tools should be used.
7. To reduce the risk of injury by materials that may be expelled by a waste disposer, do not put the following into a disposer: clam or oyster shells; caustic drain cleaners or similar products; glass, china or plastic; large whole bones; metal, such as bottle caps, tin cans, aluminum foil or utensils; hot grease or other hot liquids; whole corn husks.
8. When not operating a disposer, leave the stopper in place to reduce the risk of objects falling into the disposer.
9. DO NOT operate disposer unless splash guard is in place.
10. For proper grounding instructions see the ELECTRICAL CONNECTION portion of this manual.
11. If the supply cord is damaged, it must be replaced by the manufacturer, its service agent, or authorized person in order to avoid hazard.
12. This appliance is not intended for use by persons (including children) with reduced physical, sensory or mental capabilities, or lack of experience and knowledge, unless they have been given supervision or instruction concerning use of the appliance by a person responsible for their safety.
13. Children should be supervised to ensure that they do not play with the appliance.

- B. Remove disposer from sink flange by turning mount ring to the left clockwise (see 1B). If you are unable to turn the mount ring, tap on one of the extensions from the ring with a hammer. Some mounting systems have tubular extensions. Inserting a screwdriver into one tube will provide additional leverage for turning the mount ring (see 1B). Some disposers may require the removal or loosening of nuts from the mount screws (see 1C). Some disposers may require the removal of a clamp.

Caution: Be sure to support the disposer while performing this step or it may fall when the mounting ring is disconnected from the mounting assembly.

- C. To remove remaining mount system from the sink, loosen mount screws, push mount ring up. Under it is the snap ring. Use screwdriver to pop off ring (see 1D). Remove mount ring, protector ring and gasket from sink flange. Some mounts will require the unscrewing of a large ring holding the sink flange in place. Pull sink flange up through sink and clean off old putty from sink.

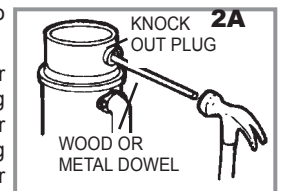
IMPORTANT: This is a good time to clean out the trap and drain lines by running a drain auger or plumber's snake before installing your new disposer.



2. DISHWASHER CONNECTION

If you are utilizing a dishwasher, complete the following procedure. If dishwasher is not to be connected go on to section 3.

- A. Using a blunt instrument (steel punch or wooden dowel), knock out entire plug (see 2A). Do not use a screwdriver or sharp instrument. (When knockout plug falls into disposer, you may remove it or grind it up when the disposer is used. This will not damage the disposer in any way, but may take some time to grind).
- B. Connect dishwasher hose (see 2B, pg.2) using hose clamp. Make sure all plumbing connections are tight and in accordance with all plumbing codes and ordinances. Run water and check for leaks.



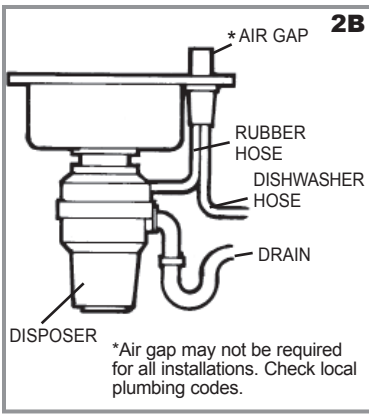
1. REMOVAL OF OLD UNIT

TYPICAL INSTRUCTIONS, YOUR MODEL MAY VARY.

Before starting this step, turn off electrical power at the circuit breaker or fuse box. Unplug disposer.

If your old mount is the same type as the mount on your new disposer, just reverse the assembly instructions found in section 3. If your new mount system is different, follow these instructions:

- A. Use a pipe wrench to disconnect drain line where it attaches to disposer discharge elbow (see 1A). (1)

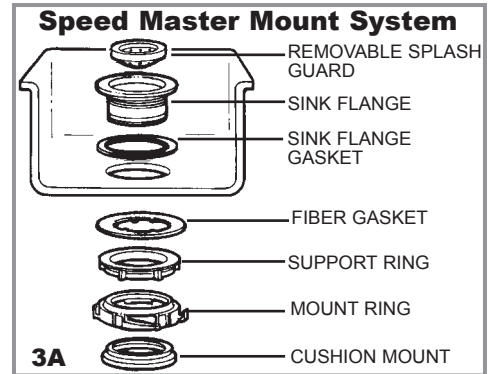


3. INSTALLATION OF MOUNTING ASSEMBLY

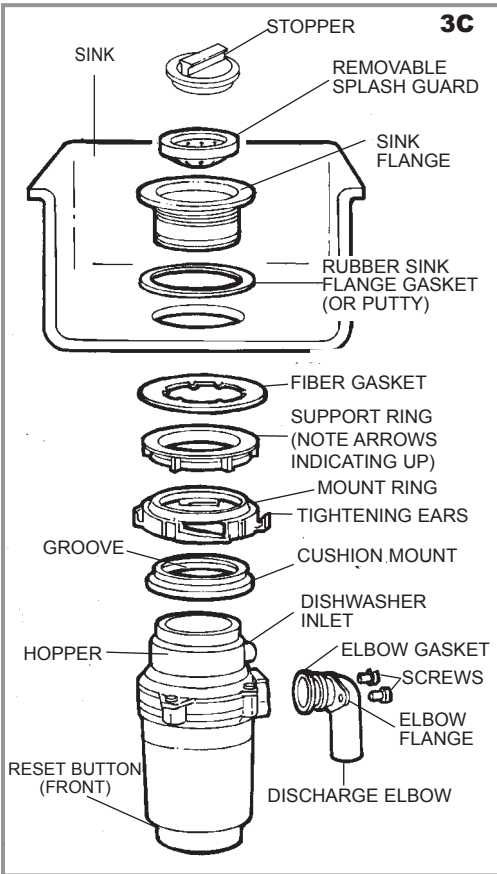
READ COMPLETELY BEFORE STARTING

NOTE: Pay close attention to the order of mount assembly parts, as they have been correctly assembled by the factory (see 3A). Also, reference the cushion mount detail in illustration 3G for the proper position of the cushion mount.

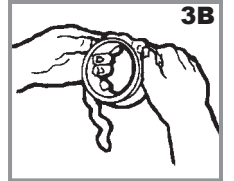
NOTE: Try practicing this assembly before you get under the sink to get the "feel" of how the parts fit together.



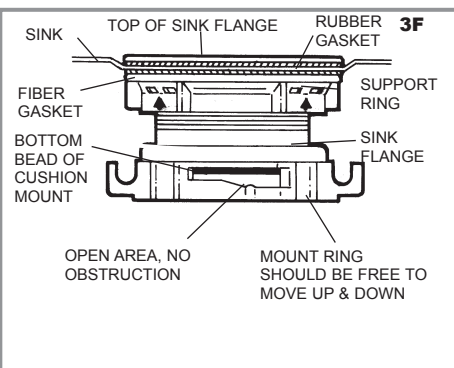
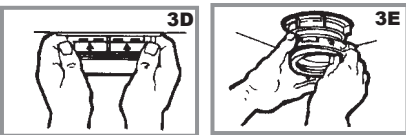
SPEED MASTER MOUNT SYSTEM



- A. Disassemble mount assembly from disposer by turning mount ring to the left (clockwise) and remove.
- B. Raise mount ring toward top of sink flange. Remove cushion mount. Remove mount ring. You may want to practice installing the cushion mount at this point before you are under the sink. See paragraph H. Also see the "Important Notice: Cushion Mount Detail."
- C. Unscrew support ring from sink flange and remove fiber gasket. You are now left with sink flange and rubber gasket.
- D. The rubber gasket is used instead of plumbers putty with stainless steel sinks. Other sinks will require putty.
- E. If no putty is used, insert sink flange through rubber gasket into sink opening. Do not rotate sink flange once it is seated.
- F. If you use putty instead of the gasket, form a ring around underside of sink flange (see 3D). Insert flange into sink opening, press down hard to squeeze out excess putty (see 3B). From under sink, trim off excess putty flush with bottom edge of sink opening.
- G. From underneath sink, slip fiber gasket onto exposed sink flange. With arrows pointing up, screw support ring onto the sink flange, hand tighten until the sink flange will not move. At this point you may want to insert stopper in sink and fill with water to check sink flange seal and ensure there are no leaks.
- H. Place mount ring over sink flange and hold in place while installing cushion mount (large side down) so the groove on the inside of cushion mount fits over lip on sink flange, similar to putting the lid on a plastic container (see 3E, 3F & 3G). Please read important notice below.
- I. The disposer must be installed so that the reset button is readily accessible.

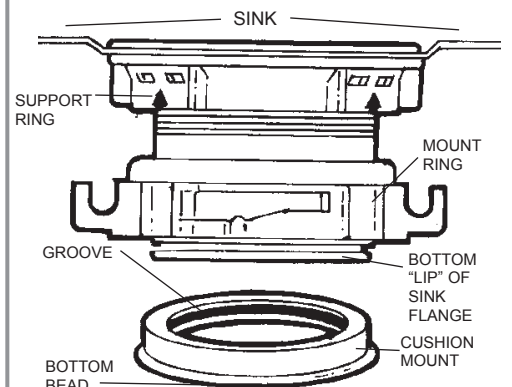


IMPORTANT NOTICE: CUSHION MOUNT DETAIL



When the cushion mount is installed correctly, the lip of the sink flange fits into the groove on the inside of the cushion mount and the mount ring can be pulled downward over cushion mount and will be free to rotate. The bottom bead of the cushion mount acts as a gasket between the bottom of the sink flange and the top of the disposer. See illustration 3G.

CUSHION MOUNT DETAIL 3G



4. ELECTRICAL CONNECTIONS

- A. Connect disposer to appropriate household current only.

WARNING: IMPROPER CONNECTION OF THE EQUIPMENT-GROUNDING CONDUCTOR CAN RESULT IN A RISK OF ELECTRIC SHOCK. CHECK WITH A QUALIFIED ELECTRICIAN OR SERVICEMAN IF YOU ARE IN DOUBT AS TO WHETHER THE APPLIANCE IS PROPERLY GROUNDED. DO NOT MODIFY THE PLUG PROVIDED WITH THE APPLIANCE IF IT WILL NOT FIT THE OUTLET. HAVE A PROPER OUTLET INSTALLED BY A QUALIFIED ELECTRICIAN.

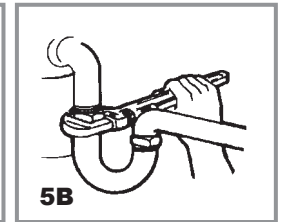
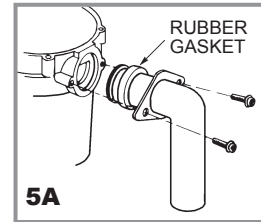
GROUNDING INSTRUCTIONS

FOR WASTE DISPOSERS EQUIPPED WITH A GROUNDED PLUG-IN POWER CORD.

- B. This appliance must be grounded. In the event of a malfunction or breakdown, grounding provides a path of least resistance for electric current to reduce the risk of electric shock. This appliance is equipped with a cord having an equipment-grounding conductor and a grounding plug. The plug must be plugged into an appropriate outlet that is properly installed and grounded in accordance with all local codes and ordinances. If the supply cord is damaged it must be replaced by the manufacturer, its service agent or similarly qualified person in order to avoid a hazard. The appliance must be installed so that reset button is readily accessible. **Removing an attached power cord or plug voids the warranty.**

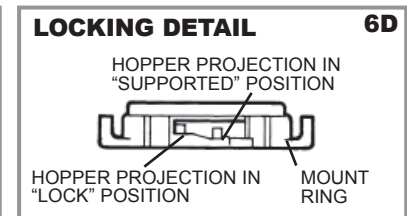
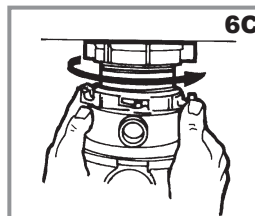
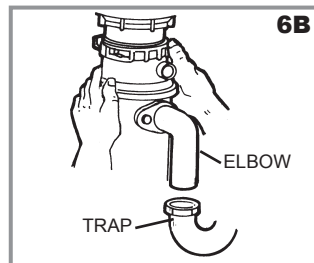
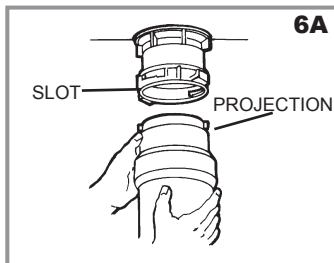
5. ATTACHING DISCHARGE ELBOW

- A. Connect waste elbow to the disposer (see 5A), proceed to step 6 and then connect bottom of the elbow by tightening the slip nut (see 5B).
- B. If you are connecting to a dishwasher, return to section 2B. If not, make sure all plumbing connections are tight and in accordance with all plumbing codes and ordinances. Run water and check for leaks.



6. CONNECTING DISPOSER TO MOUNT ASSEMBLY

- A. Line up disposer under mounting assembly. Guide hopper projections into mount ring slots. Turn mount ring about 1/4" to right so that disposer is temporarily supported (see 6A).
- B. Turn mount ring and disposer until disposer elbow lines up with trap (see 6B).
- C. Turn mount ring to the right (counter-clockwise) until it reaches the locking position as shown (6D). Hopper projections must be to extreme left of mounting slots (see 6C & 6D).
- D. If mount ring is hard to turn, you may add a small amount of petroleum jelly or liquid soap to hopper projections. Run water and check for leaks.



7. OPERATING INSTRUCTIONS

The Anti-Jam Swivel Impellers make a clicking sound as they initially swing into place. This indicates normal operation.

- A. Remove sink stopper. Turn on a medium flow of cold water.
- B. Turn switch to ON position; your motor is turning at full speed and ready to use.
- C. Scrape in food waste. Down the drain go table scraps, peelings, rinds, seeds, pits, small bones and coffee grounds. To speed up food waste disposal, cut or break up large bones, rinds and cobs. Large bones and fibrous waste require considerable grinding time and are more easily thrown away with other trash. Do not be alarmed that the disposer slows down while grinding. The disposer is actually increasing torque (grinding power) and is operating under normal conditions.
- D. Before turning disposer off, let water and disposer run for approximately 15 seconds after shredding or grinding stops. This assures that all waste is thoroughly flushed through trap and drain.
- E. It is not recommended to use hot water while running disposer. Cold water will keep waste and fats solid so disposer can flush away particles.

TIPS FOR SUCCESSFUL OPERATION

- A. Be sure disposer is empty before using your dishwasher so it may drain properly.
- B. You may want to leave the stopper in the drain when not in use to prevent utensils and foreign objects from falling into the disposer.

- C. Your disposer is ruggedly built to give you many years of trouble free service. It will handle all normal food wastes, but it will NOT grind or dispose of such items as plastic, tin cans, bottle caps, glass, china, leather, cloth, rubber, string, clam and oyster shells, aluminum foil or feathers.

8. CLEANING AND MAINTENANCE

DO NOT ATTEMPT TO LUBRICATE YOUR DISPOSER!

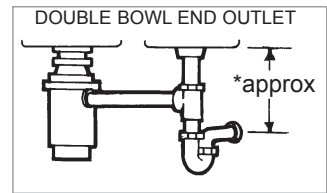
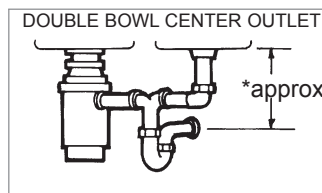
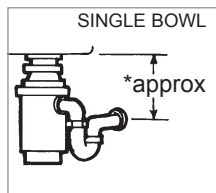
The motor is permanently lubricated. The disposer is self cleaning and scours its internal parts with each use.

NEVER put lye or chemical drain cleaners into the disposer, as they cause serious corrosion of metal parts. If used, resulting damage can be easily detected and all warranties are void. Mineral deposits from your water can form on the stainless steel turntable, giving the appearance of rust. DO NOT BE ALARMED, the stainless steel turntables used will not corrode.

TYPICAL INSTALLATIONS

* Dimensions are inches

Economy	10.2" /261mm
Standard	10.2" /261mm
Mid-Duty	10.9" /279mm
Heavy Duty	11.2" /285mm
Deluxe	11.2" /285mm
Premium	11.2" /285mm



	Economy	Standard	Mid Duty	Heavy Duty	Deluxe	Premium
A	13.9	13.9	14.6	16	16	17.3
B	6.3	6.3	7	7.3	7.3	7.3
C	5.2	5.2	7.7	8.7	8.7	8.7
D	5.5	5.5	5.5	5.7	5.7	5.7
E	3.9	3.9	3.9	3.9	3.9	3.9
F	1.5	1.5	1.5	1.5	1.5	1.5

Dimensions in inches

	Economy	Standard	Mid Duty	Heavy Duty	Deluxe	Premium
A	354	354	372	404	404	439
B	161	161	179	185	185	185
C	132	132	195	220	220	220
D	140	140	140	144	144	144
E	100	100	100	100	100	100
F	38	38	38	38	38	38

Dimensions in millimeters

Batch Feed Units (not pictured)

- The 3 largest models offer a Batch Feed version.
- Built in switch activated by inserting stopper.
- No extra switch or wiring required.
- Batch Feed units add approx. 2.1"/53mm to the "A" and "B" dimension.

9. TROUBLESHOOTING

Before seeking repair or replacement, we recommend that you review the following:

LOUD NOISES: (Other than those during grinding of small bones and fruit pits): These are usually caused by accidental entry of a spoon, bottle cap or other foreign object. To correct this, turn off electrical switch and water. After disposer has stopped, remove splash guard, remove object with long handled tongs, and replace splash guard.

UNIT DOES NOT START: Unplug power cord or turn either the wall switch or breaker box switch to "OFF" position, depending on your model and wiring configuration. Remove stopper and/or splash guard. Check to see if turntable will rotate freely using a wooden broom handle. If turntable rotates freely, replace splash guard and check reset button to see if it has been tripped. Reset button is red and located on the front of the disposer. Push button in until it clicks and remains depressed.

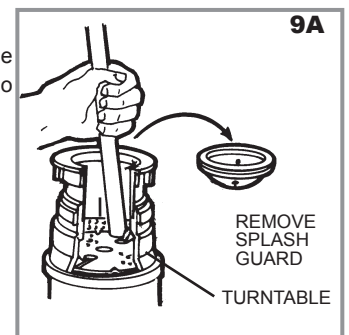
If reset button has not been tripped, check for shorted or broken wire connecting to disposer. Check electrical power switch, fuse box or circuit breaker. If wiring and electrical components are intact, the unit may have internal problems that require service or replacement.

IF TURNTABLE DOES NOT ROTATE FREELY: Turn off disposer, then check for any foreign object lodged between the turntable and grind ring. Dislodge object by rotating table with a wooden broom handle (see 9A) and remove object. If no foreign object is present, there may be internal problems.

LEAKS: If the unit leaks at the top, it may be due to:

1. Improper seating of sink flange (gasket centering, putty or tightening).
2. Support ring not tightened properly.
3. Defective or improperly installed cushion mount.

If unit leaks at the waste elbow, leak may be due to improper tightening of elbow flange screws.



A mail in Warranty Card is not required. Proof of purchase is required! Staple receipt or proof of purchase to this manual. Tracking is handled through the serial number affixed to the bottom of the disposer. Conveniently record your model number and serial number on the front of this manual for your records. If you need warranty service, call 888.8JONECA and have Serial Number and Receipt available for technician.

Warranty not transferable.



Joneca Corporation
 4332 E. La Palma Avenue Anaheim, California 92807
 Telephone: 714.993.5997 Fax: 714.993.2126
 Website: www.Joneca.com
 E-Mail: consumerservice@joneca.com
 1-888-8JONECA

BROYEUR À DÉCHETS Manuel d'utilisation

- REMARQUE :** Ce broyeur à déchets a été conçu pour fonctionner uniquement dans une prise de 110 à 120 V, 60 Hz. Tout autre branchement risque de l'endommager.
- IMPORTANT :** Lisez attentivement toutes les instructions. Conservez ce manuel pour consultation future.
- AVERTISSEMENT :** Assurez-vous de consulter les CONSIGNES DE SÉCURITÉ PORTANT SUR LES RISQUES D'INCENDIE, DE CHOC ÉLECTRIQUE OU DE BLESSURES avant d'utiliser ce broyeur.

Voir l'encart pour plus de précisions sur votre nouveau broyeur

Numéro de modèle* _____

Numéro de série* _____

*Les renseignements ci-dessus apparaissent sur l'étiquette fixée sous le broyeur. Pour votre commodité, prenez en note les numéros de modèle et de série avant l'installation. La garantie n'est valide que sur preuve d'achat. Veuillez donc agraffer votre reçu ou preuve d'achat au présent manuel pour y avoir accès facilement. Garantie non transférable.

IMPORTANTES CONSIGNES DE SÉCURITÉ

CONSIGNES RELATIVES AUX RISQUES D'INCENDIE, D'ÉLECTROCUTION OU DE BLESSURES. VEUILLEZ CONSERVER CES CONSIGNES.

AVERTISSEMENT – Avant d'utiliser tout appareil électrique, des précautions élémentaires doivent être prises en tout temps, par exemple :

1. Lire attentivement toutes les instructions avant d'utiliser l'appareil.
2. Pour réduire le risque de blessures, une étroite supervision est nécessaire lorsqu'un appareil est utilisé à proximité de jeunes enfants.
3. Ne pas mettre les doigts ou les mains dans un broyeur à déchets.
4. Mettre l'interrupteur à la position d'arrêt avant de tenter de débloquer ou de retirer un objet du broyeur.
5. Utiliser un long objet en bois ou un manche à balais pour débloquer un broyeur.
6. Utiliser des pinces à longues poignées ou des pinces de plombier pour enlever des objets le broyeur. Si le broyeur est actionné magnétiquement, des outils non magnétiques doivent être utilisés.
7. Afin de réduire le risque de blessure causée par des substances qui pourraient être éjectées du broyeur, ne pas introduire les produits ou objets suivants dans le broyeur : coquilles de palourde ou d'huître; nettoyant caustique pour drain ou produits similaires; verre, porcelaine ou plastique; gros os (complets); métal (tel que bouchons de bouteille, boîtes de conserve, papier d'aluminium ou ustensiles); graisse chaude ou autres liquides chauds; enveloppes de maïs entières.
8. Lorsque le broyeur n'est pas en fonction, laisser le bouchon en place pour réduire le risque que des objets tombent dans le broyeur.
9. Ne PAS faire fonctionner le broyeur lorsque le protecteur anti-éclaboussures n'est pas en place.
10. Pour plus de détails sur les instructions de mise à la terre voir la section RACCORDEMENT ÉLECTRIQUE de ce manuel.
11. Si le cordon d'alimentation est endommagé, il faut le faire remplacer par le fabricant, son agent gestionnaire ou une personne autorisée pour éviter de causer un risque.
12. Cet appareil n'est pas conçu pour être utilisé par des personnes (adultes ou enfants) qui ont des capacités réduites sur les plans physique, sensoriel ou mental, ou qui n'ont pas l'expérience ou les connaissances requises, à moins qu'une personne responsable de leur sécurité les supervise et leur donne les instructions nécessaires à son utilisation.
13. Surveiller les enfants pour éviter qu'ils jouent avec l'appareil.

1. DÉMONTAGE DE L'ANCIEN APPAREIL

LES INSTRUCTIONS PEUVENT VARIER SELON LE MODÈLE.

Avant de passer à l'étape suivante, coupez l'alimentation électrique de la boîte de disjoncteurs ou de fusibles. Débranchez le broyeur.

Si l'installation du nouveau broyeur est la même que celle de l'ancien, simplement inverser les instructions de montage figurant à la section 3. Si l'installation du nouveau broyeur est différente, suivre les instructions suivantes :

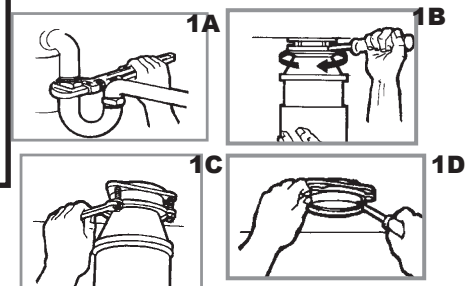
- A. À l'aide d'une clé à tube, déconnectez la conduite de vidange fixée au coude d'évacuation du broyeur (voir 1A).
- B. Retirez le broyeur du collet d'évier en tournant la bague de montage

vers la gauche (voir 1B). Si vous êtes incapable de tourner la bague de montage, frappez sur l'une des extrémités de la bague à l'aide d'un marteau. Certains systèmes de montage ont des extrémités tubulaires. Vous aurez plus d'emprise en insérant un tournevis dans un tube pour tourner la bague de montage (voir 1B). Dans le cas de certains modèles de broyeurs, il se peut que vous deviez enlever ou desserrer les écrous des vis de montage (voir 1C). Dans le cas de certains broyeurs, il est nécessaire de retirer la bride de serrage.

Avertissement : Assurez-vous de soutenir le broyeur au cours de cette étape car il pourrait tomber lorsque la bague de montage est déconnectée.

- C. Pour enlever le reste du montage de l'évier, desserrez les vis de montage et poussez la bague de montage vers le haut. Le jonc de blocage se trouve en-dessous. Utilisez un tournevis pour enlever le jonc (voir 1D). Enlevez la bague de montage, l'anneau de protection et le joint d'étanchéité du collet d'évier. Certains montages nécessitent le dévissage d'un gros anneau qui tient en place le collet d'évier. Tirez le collet d'évier vers le haut et enlevez le mastic usagé.

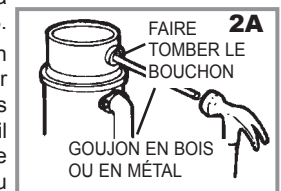
IMPORTANT : C'est un bon moment pour nettoyer les conduits d'évacuation à l'aide d'un furet ou d'une sonde spirale avant d'installer le nouveau broyeur

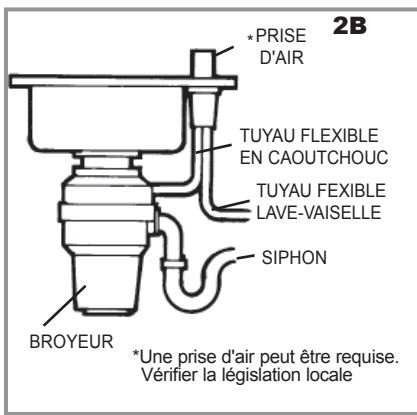


2. RACCORDEMENT AU LAVE-VAISSELLE

Si vous utilisez un lave-vaisselle, effectuez la procédure suivante : sinon, passez à l'étape 3.

- A. À l'aide d'un outil arrondi (poinçon d'acier ou goujon en bois), faites tomber le bouchon (voir 2B, p. 2). Ne vous servez pas d'un tournevis ou d'un outil tranchant. (Une fois tombé dans le broyeur, vous pouvez le retirer du broyeur ou le broyer lorsque le broyeur sera en marche). Il sera broyé sans risque pour le broyeur mais l'opération pourrait prendre un certain temps.
- B. Branchez le tuyau flexible du lave-vaisselle (voir 2B) à l'aide d'une bride de serrage. Vérifiez l'étanchéité et la conformité de tous les raccords de plomberie. Faites couler l'eau et vérifiez l'étanchéité.





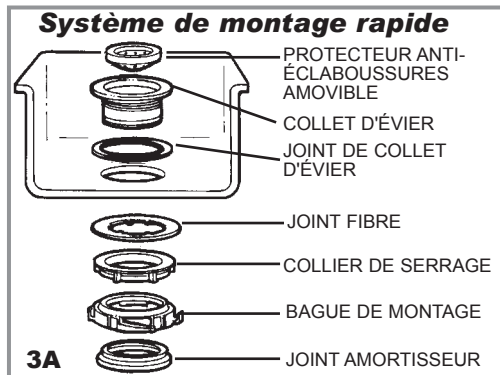
3. INSTALLATION DE L'ENSEMBLE DE MONTAGE

LIRE ATTENTIVEMENT AVANT DE COMMENCER

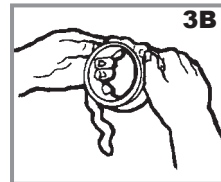
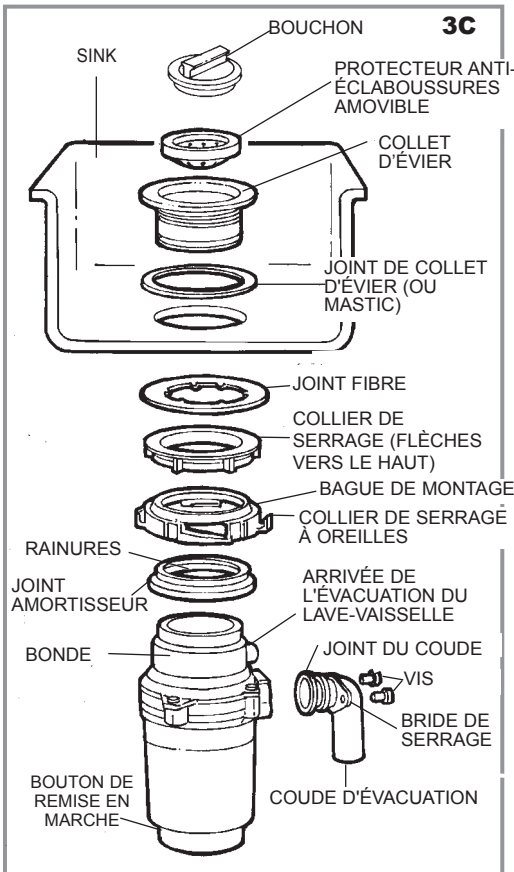
REMARQUE : Observez bien l'ordre d'assemblage des pièces d'ancrage qui ont été positionnées à l'usine (voir 3A). Notez également le montage du joint amortisseur figurant à l'illustration 3G pour connaître sa position exacte.

REMARQUE : Entraînez-vous à assembler les pièces du système d'ancrage avant de travailler sous l'évier.

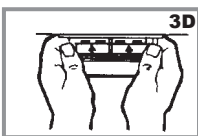
- Démontez le système d'ancrage du broyeur en faisant pivoter la bague de montage dans le sens des aiguilles d'une montre.
- Soulevez la bague de montage vers le haut du collet d'évier. Retirez le joint amortisseur. Retirez la bague de montage. Entraînez-vous à installer le joint amortisseur avant de travailler sous l'évier. Voir le paragraphe H. Voir également la mention Avis important : Montage du joint amortisseur.
- Dévissez le collier de serrage du collet d'évier et retirez le joint fibre. Il ne vous reste que le collet d'évier et le joint en caoutchouc.
- Le joint en caoutchouc est utilisé plutôt que du mastic de plombier avec les éviers en acier inoxydable. Les autres types d'évier nécessiteront du mastic.
- Si vous n'utilisez pas de mastic, passez le collet d'évier dans le joint en caoutchouc et dans le trou de l'évier. Ne faites pas tourner le collet d'évier une fois qu'il est scellé.
- Si vous utilisez du mastic de plombier, formez une couronne de mastic autour de la partie inférieure du collet d'évier (voir 3D). Insérez le collet dans le trou de l'évier et appuyez très fort sur le collet pour faire sortir l'excédent de mastic (voir 3B). Puis, en-dessous de l'évier, utilisez un couteau pour enlever l'excédent de mastic à ras du bord inférieur du trou de l'évier.
- Sous l'évier, passez le joint fibre autour du collet d'évier exposé. Les flèches pointant vers le haut, vissez manuellement le collier de serrage sur le collet d'évier jusqu'à ce que le collet d'évier ne puisse se déplacer. À cette étape, vous pouvez mettre le bouchon dans l'évier et le remplir d'eau pour vérifier l'étanchéité du collet d'évier et s'assurer qu'il n'y a pas de fuites.
- Enfilez la bague de montage autour de l'extrémité inférieure du collet d'évier et maintenez-la en place pendant que vous installez le joint amortisseur (rebord vers le bas) de sorte que la rainure inférieure du joint amortisseur s'emboîte sur la lèvre du collet d'évier, comme le couvercle d'un contenant en plastique (voir 3E, 3F et 3G). Veuillez lire l'avis important ci-dessous.
- Le broyeur doit être installé de façon à ce que le bouton de remise en marche soit facilement accessible.



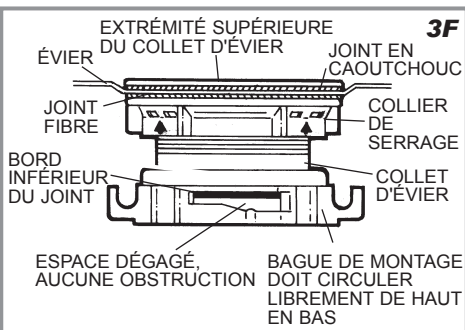
SYSTÈME DE MONTAGE SPEED MASTER



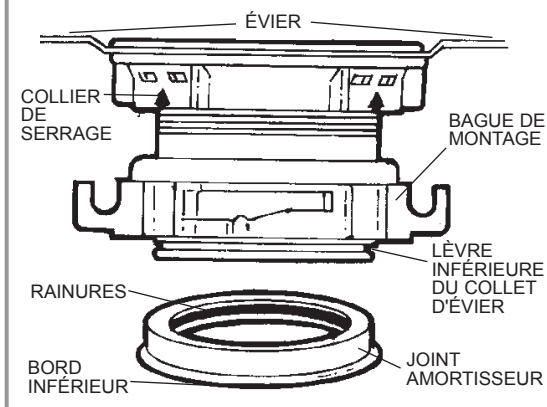
AVIS IMPORTANT : MONTAGE DU JOINT AMORTISSEUR



Lorsque le joint amortisseur est installé correctement, la lèvre du collet d'évier s'engage bien dans les rainures à l'intérieur du joint. Le bord inférieur du joint amortisseur sert par ailleurs de joint d'étanchéité entre le bas du collet d'évier et la partie supérieure du broyeur. Voir l'illustration 3G.



3G MONTAGE DU JOINT AMORTISSEUR



4. RACCORDEMENT ÉLECTRIQUE

- A. Ce broyeur est conçu pour une utilisation domestique avec branchement sur le réseau électrique standard seulement.

MISE EN GARDE: UN RACCORDEMENT INCORRECT DE L'ÉQUIPEMENT DE MISE À LA TERRE PEUT ENTRAÎNER DES RISQUES D'ÉLECTROCUTION. CONSULTEZ UN ÉLECTRICIEN OU UN RÉPARATEUR SI VOUS N'ÊTES PAS TOTALEMENT SÛR QUE L'APPAREIL SOIT CORRECTEMENT MIS À LA TERRE. NE MODIFIEZ PAS LA FICHE FOURNIE AVEC L'APPAREIL SI ELLE NE PEUT SE BRANCHER À LA PRISE DE COURANT. UTILISEZ UNE PRISE DE COURANT ADÉQUATE INSTALLÉE PAR UN ÉLECTRICIEN QUALIFIÉ.

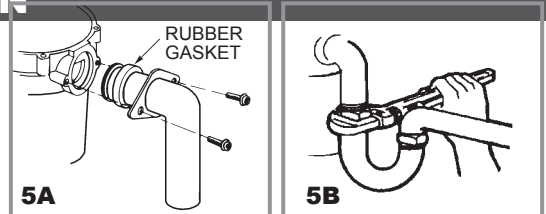
INSTRUCTIONS DE MISE À LA TERRE

BROYEURS ÉQUIPÉS D'UN CORDON D'ALIMENTATION MUNI D'UNE FICHE DE MISE À LA TERRE.

- B. Cet appareil doit être mis à la terre. Dans le cas d'une défectuosité ou d'une panne, la mise à la terre permet de réduire les risques d'électrocution. Cet appareil est équipé d'un cordon d'alimentation muni d'un conducteur de mise à la terre et d'une fiche de mise à la terre. La fiche doit être branchée dans une prise de courant adéquatement installée et mise à la terre conformément aux règlements locaux. Si le cordon d'alimentation est endommagé, il doit être remplacé par le fabricant, son représentant ou une personne qualifiée de façon à éviter tout risque d'électrocution. L'appareil doit être installé de façon à ce que le bouton de remise en marche soit facilement accessible. **Ablation d'un cordon d'alimentation ci-jointe ou fiche annule la garantie.**

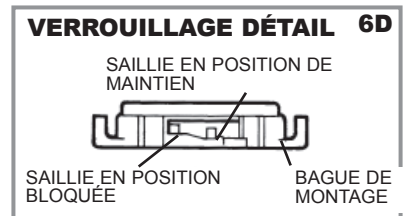
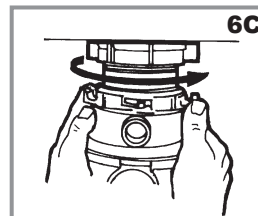
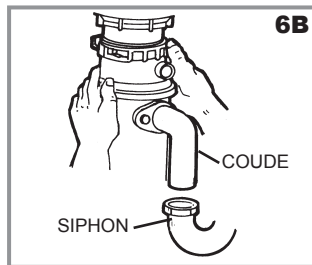
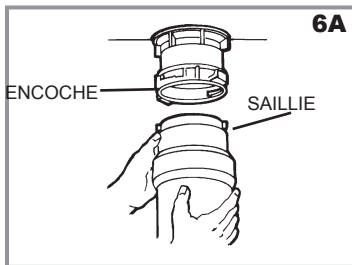
5. BRANCHEMENT DU COUDE D'ÉVACUATION

- A. Reliez le coude d'évacuation au broyeur (voir 5A), passez ensuite à l'étape 6 et reliez l'extrémité inférieure du coude au collecteur (voir 5B).
- B. Si vous branchez un lave-vaisselle sur le même circuit, retournez à l'étape 2B. Sinon, assurez-vous de l'étanchéité et de la conformité de tous les raccordements de plomberie. Faites couler l'eau et vérifiez l'étanchéité.



6. RACCORDEMENT DU BROYEUR À L'ENSEMBLE DE MONTAGE

- A. Alignez le broyeur sous le système de montage. Positionnez les saillies de la chambre de broyage de façon à ce qu'elles s'engagent dans les encoches de la bague de montage. Faites tourner la bague de montage d'environ ¼ po de manière à ce que le broyeur soit temporairement maintenu (voir 6A).
- B. Faites tourner la bague de montage et le broyeur jusqu'à ce que le coude d'évacuation soit aligné avec le siphon (voir 6B).
- C. Faites tourner la bague de montage dans le sens inverse des aiguilles d'une montre jusqu'à ce qu'elle soit fermement bloquée. Bloquez en tapant les oreilles à l'aide d'un marteau jusqu'à la position désirée. Les saillies seront alors à l'extrémité gauche des encoches (voir 6C et 6D).
- D. Si la bague de montage est difficile à faire tourner, huilez ou savonnez légèrement les saillies. Faites couler et vérifiez l'étanchéité.



7. MODE D'EMPLOI

Les marteaux peuvent cliqueter lorsqu'ils se mettent en place. C'est normal.

- A. Retirez le bouchon d'évier. Faites couler l'eau froide à débit moyen.
- B. Actionnez l'interrupteur; votre broyeur est prêt à fonctionner à plein régime.
- C. Jetez dans l'évier les restes de table, les épluchures de légumes, les pelures, les pépins, les noyaux et les moûts de café. Pour accélérer l'évacuation des déchets, cassez ou coupez les gros os, pelures et épis. Les gros os et les matières fibreuses seront longs à pulvériser et il sera souvent plus facile de les jeter directement à la poubelle. Ne vous inquiétez pas si la vitesse du broyeur diminue pendant le broyage. La vitesse du broyeur augmente son couple (puissance de broyage) et fonctionne normalement.
- D. Avant d'arrêter l'interrupteur, laissez l'eau couler et le broyeur en marche pendant environ 15 secondes après que le broyage ait cessé. Vous serez ainsi assuré que tous les déchets ont été complètement évacués dans le tuyau d'évacuation des eaux usées.
- E. Il est déconseillé de faire fonctionner le broyeur avec de l'eau chaude. L'eau froide solidifie les graisses et facilite leur évacuation.

CONSEILS UTILES

- A. Le broyeur doit être vide avant d'utiliser votre lave-vaisselle de façon à assurer une évacuation adéquate.
- B. Il est recommandé de laisser le bouchon d'évier en place lorsque le

broyeur n'est pas en service pour éviter que des ustensiles ou objets ne tombent dans le broyeur.

- C. Votre broyeur est de construction robuste et il vous donnera de nombreuses années de service sans souci. Il est conçu pour broyer tous les restes alimentaires habituels mais il NE PEUT être utilisé pour broyer des objets comme le plastique, les boîtes de conserve, les bouchons de flacons, le verre, la porcelaine, le cuir, les chiffons, le caoutchouc, la corde, les coquilles de palourdes et d'huîtres, le papier d'aluminium ou les plumes.

8. NETTOYAGE ET ENTRETIEN

NE LUBRIFIEZ PAS VOTRE BROYEUR!

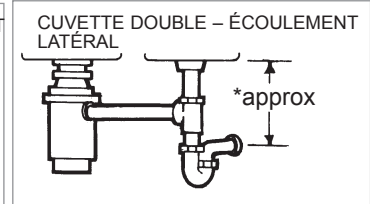
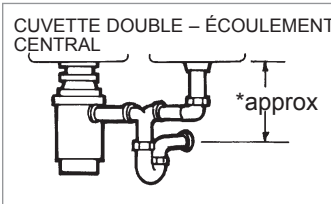
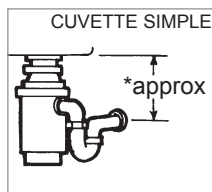
Le moteur est lubrifié à vie. Le broyeur est auto-nettoyant, il récuré les pièces internes à chaque utilisation.

NE JAMAIS mettre de lessive ou autre nettoyeur chimique dans le broyeur, ils entraîneraient la corrosion des pièces en alliage. Si vous utilisez l'un de ces produits, vous risquez de causer des dommages et toute garantie serait alors nulle et sans effet. Des résidus de minéraux contenus dans l'eau peuvent se former sur le disque de broyage en acier inoxydable et donner une impression de rouille. NE VOUS INQUIÉTEZ PAS, le disque en acier inoxydable ne se corrodera pas.

MONTAGES COURANTS

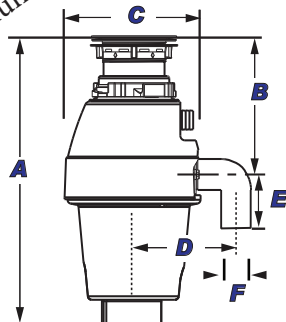
* Dimensions

Economy	10,2 po /261mm
Standard	10,2 po /261mm
Mid-Duty	10,9 po /279mm
Heavy Duty	11,2 po /285mm
Deluxe	11,2 po /285mm
Premium	11,2 po /285mm



	Economy	Standard	Mid Duty	Heavy Duty	Deluxe	Premium
A	13.9	13.9	14.6	16	16	17.3
B	6.3	6.3	7	7.3	7.3	7.3
C	5.2	5.2	7.7	8.7	8.7	8.7
D	5.5	5.5	5.5	5.7	5.7	5.7
E	3.9	3.9	3.9	3.9	3.9	3.9
F	1.5	1.5	1.5	1.5	1.5	1.5

Dimensions en pouces



	Economy	Standard	Mid Duty	Heavy Duty	Deluxe	Premium
A	354	354	372	404	404	439
B	161	161	179	185	185	185
C	132	132	195	220	220	220
D	140	140	140	144	144	144
E	100	100	100	100	100	100
F	38	38	38	38	38	38

Dimensions en millimètres

Unités de chargement discontinu (non illustrées)

- Pour les trois plus gros modèles, il existe une version à chargement discontinu.
- L'interrupteur intégré est activé par l'insertion de l'obturateur.
- Aucun interrupteur ni aucun câblage supplémentaire n'est requis.
- Les unités de chargement discontinu ajoutent environ 53 mm (2,1") aux dimensions « A » et « B ».

9. RECHERCHE DES PANNES

Avant d'appeler un réparateur, nous vous recommandons de revoir les points suivants :

BRUITS INTENSES (autres que le bruit du broyage des os et des noyaux de fruits) : Ces bruits sont généralement causés par une cuillère, une capsule de bouteille ou tout autre objet semblable tombé accidentellement dans le broyeur. Pour y remédier, arrêtez l'eau et le broyeur à l'aide de l'interrupteur. Attendez que le disque se soit arrêté, retirez le protecteur anti-éclaboussures, enlevez l'objet à l'aide de longues pinces et remplacez le protecteur.

L'APPAREIL NE DÉMARRE PAS : Débranchez le cordon d'alimentation ou fermez le broyeur à l'aide de l'interrupteur mural ou de la boîte de disjoncteurs, dépendamment du modèle de votre broyeur et de la configuration du câblage. Enlevez le bouchon et/ou le protecteur anti-éclaboussures. Vérifiez si le disque peut tourner librement à l'aide d'un manche à balai en bois. Si le disque tourne librement, remplacez le protecteur anti-éclaboussures et vérifiez si le bouton de remise en marche a été déclenché. Le bouton de remise en marche est rouge et situé à l'avant du broyeur. Appuyez sur le bouton jusqu'à ce qu'il s'enclenche et qu'il reste enclenché.

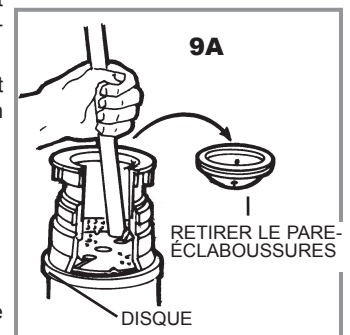
Si le bouton de remise en marche n'a pas été déclenché, vérifiez qu'il n'y ait pas de fil d'alimentation cassé ou en court circuit. Vérifiez l'interrupteur mural, la boîte à fusibles ou de disjoncteurs. Si les fils d'alimentation et les organes électriques sont intacts, l'appareil présente un problème interne qui nécessite un appel de service ou un remplacement.

SI LE DISQUE NE TOURNE PAS LIBREMENT : Coupez l'alimentation du broyeur et vérifiez ensuite qu'aucun objet étranger ne soit logé entre le disque et la couronne de broyage. Délogez l'objet en faisant tourner le disque à l'aide d'un manche à balai en bois (voir 9A). S'il n'y a aucun objet étranger, il se peut qu'il s'agisse d'un problème interne.

FUITES : Si le haut de l'appareil fuit, cela peut être causé par :

1. Installation incorrecte du collet d'évier (centrage du joint, mastic ou serrage).
2. Le collier de serrage n'est pas suffisamment serré.
3. Joint amortisseur défectueux ou incorrectement installé.

Si la fuite se situe au niveau du coude d'évacuation, elle peut être causée par un serrage inadéquat des vis de la bride de serrage.



Aucun bon de garantie n'est à poster. La preuve d'achat est toutefois requise! Veuillez agraffer votre reçu ou preuve d'achat à ce manuel. Le suivi s'effectue au moyen du numéro de série apposé au bas du broyeur. Pour vos dossiers et pour faciliter les choses, notez le numéro de modèle et le numéro de série sur la page couverture de ce manuel. Si vous avez besoin d'obtenir du service sous garantie, téléphonez au 1-888-8JONECA et assurez-vous d'avoir votre numéro de série et votre reçu pour pouvoir les fournir au technicien. Garantie non transférable.



Joneca Corporation
 4332 E. La Palma Avenue Anaheim, California 92807
 Telephone: 714.993.5997 Fax: 714.993.2126
 Website: www.Joneca.com
 E-Mail: consumerservice@joneca.com
 1-888-8JONECA

Manual de Instrucciones del Triturador de desperdicios de Alimentos

NOTA: Este triturador de alimentos ha sido diseñado para funcionar con 110V-120V, 60Hz, 60 Hz exclusivamente. El uso de cualquier otro voltaje o nivel de Hertz afectará negativamente el rendimiento del aparato.

IMPORTANTE: Lea todas las instrucciones con atención. Guarde esta guía para cualquier consulta en el futuro.

PRECAUCIÓN: Asegúrese de repasar PRIMERO LAS INSTRUCCIONES DE SEGURIDAD SOBRE PELIGROS DE FUEGO, CHOQUES ELÉCTRICOS O LESIONES A PERSONAS antes de instalar el triturador.

Anote aquí la información del triturador de comida

NÚMERO DE MODELO* _____ **NÚMERO DE SERIE*** _____

*La información anterior se encuentra en la etiqueta adherida a la parte inferior del triturador. Para su conveniencia, anote los números de modelo y de serie antes de la instalación. Se requiere prueba de compra para la garantía. Engrape el recibo o el comprobante de compra a este manual para consultarlo fácilmente. Garantía no transferible. GARANTÍA NO VÁLIDA PARA MÉXICO

INSTRUCCIONES DE SEGURIDAD IMPORTANTES

INSTRUCCIONES CONCERNIENTES AL RIESGO DE FUEGO, CHOQUE ELECTRICO O LESIONES A PERSONAS. GUARDE ESTAS INSTRUCCIONES.

ADVERTENCIA – Cuando utilice aparatos eléctricos, siempre debe seguir precauciones básicas, incluyendo las siguientes:

1. Lea todas las instrucciones antes de utilizar el aparato.
2. Para reducir el riesgo de lesiones, es necesaria la cercana supervisión cuando un aparato es utilizado cerca de niños.
3. No ponga dedos o manos dentro de un triturador de basura.
4. Ponga el interruptor a la posición apagada antes de intentar desatorar un objeto o remover un objeto del triturador.
5. Cuando intente aflojar una obstrucción en el triturador de basura, utilice un objeto largo de madera tal como una cuchara de madera o el mango de madera de una escoba o trapeador.
6. Cuando intente remover objetos del triturador de basura, utilice pinzas o alicates de mango largo. Si el triturador es magnéticamente accionado, se deberán usar herramientas no-magnéticas.
7. Para reducir el riesgo de lesiones por materiales que puedan ser expulsados por el triturador de basura, no coloque los siguientes dentro del triturador: conchas de ostiones o almejas; limpiadores de drenaje cáusticos o productos similares; vidrio, loza o plástico; huesos grandes y enteros; metales, tales como tapas de botellas, latas, papel de aluminio o utensilios; grasa caliente u otros líquidos calientes; cáscaras enteras de maíz.
8. Cuando no esté operando el triturador, coloque el tapón en su lugar para reducir el riesgo de que caigan objetos dentro del triturador.
9. NO opere el triturador a menos que el protector de protección esté en su lugar.
10. Para ver las instrucciones adecuadas para la conexión a tierra, consulte la sección de CONEXIONES ELÉCTRICAS de este manual.
11. Si el cordón de alimentación es dañado, éste debe ser reemplazado por el fabricante, su representante de servicio o por personal calificado para evitar riesgos.
12. Este aparato no se destina para utilizarse por personas (incluyendo niños) cuyas capacidades físicas, sensoriales o mentales, sean diferentes o estén reducidas, o carezcan de experiencia o conocimiento, a menos que dichas personas reciban una supervisión o capacitación para el funcionamiento del aparato por una responsable.
13. Los niños deben supervisarse, para asegurar que ellos no empleen los aparatos como juguetes.

1. RETIRO DE LA UNIDAD ANTERIOR

INSTRUCCIONES TÍPICAS, SU MODELO PUEDE VARIAR.

Antes de comenzar este paso, dé vuelta apagado a la corriente eléctrica en el triturador del circuito funda la caja. Desenchufe el triturador.

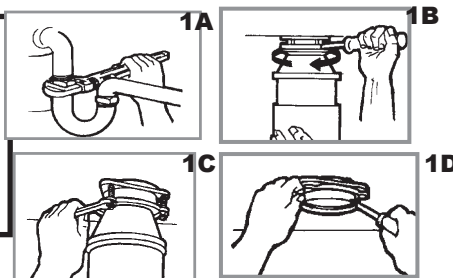
Si su viejo montaje es igual que el montaje en su nuevo triturador, revés justo que las instrucciones de asamblea encontraron en la sección 3. Si su nuevo sistema del montaje es diferente, siga estas instrucciones:

- A. Utilice una llave de la pipa para desconectar la línea de dren donde él las fijaciones al codo de la descarga del triturador (véase el 1A).
- B. Quite el triturador de la brida del fregadero dando vuelta al anillo de montaje a la izquierda a la derecha (véase el 1B). Si no puede dar vuelta al anillo de montaje, golpee ligeramente en una de las extensiones del anillo con un martillo. Algunos sistemas del montaje tienen extensiones tubulares. La inserción de un destornillador en un tubo proporcionará la palancada adicional para dar vuelta al anillo de montaje (véase el 1B). Algunos trituradores pueden requerir que se retiren o aflojen tuercas de los tornillos del montaje (véase C). Algunos trituradores pueden requerir que se retire una abrazadera.

Precaución: Asegúrese que el triturador esté apoyado mientras realiza este paso, pues se puede bajar cuando el anillo de montaje se desconecte del montaje de montaje.

- C. Para quitar el sistema restante del montaje del fregadero, afloje los tornillos del montaje, y empuje hacia arriba el anillo. Bajo él está el anillo rápido. Utilice el destornillador para hacer estallar del anillo (véase el 1D). Quite el anillo de montaje, el anillo del protector y el empaquetamiento de la brida del fregadero. Algunos montajes requerirán destornillar de un anillo grande que sostiene el reborde del fregadero en lugar. Jale el reborde del fregadero hacia arriba a través de fregadero y limpie de la vieja masilla de fregadero.

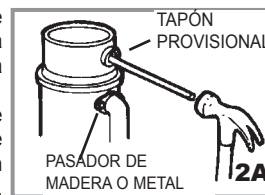
IMPORTANTE: Este es un buen momento para limpiar la trampa y las líneas de drenaje introduciendo una barrena o serpiente de plomero antes de instalar su nuevo triturador.



2. CONEXIÓN DE MÁQUINA LAVAVAJILLAS

Si usa una máquina lavadora de trastes, complete el siguiente procedimiento. Si no está conectada a una máquina lavadora de trastes, prosiga a la sección 3.

- A. Con un instrumento desafilado (punzón de acero o espiga de madera), golpee y saque todo el tapón provisional (vea 2A). No use un destornillador u otro instrumento afilado. Cuando el tapón provisional cae dentro del triturador, puede retirarlo o simplemente triturarlo cuando use el triturador. Esto no dañará el triturador en lo absoluto, pero es posible que tome algún tiempo para desmenuzarse por completo.
- B. Conecte la manguera de la máquina lavadora de trastes usando la abrazadera de la manguera (vea 2B, pág. 2). Asegúrese que todas las conexiones de tuberías estén bien apretadas según los códigos y reglamentos de plomería. Haga correr el agua y verifique si hay fugas.



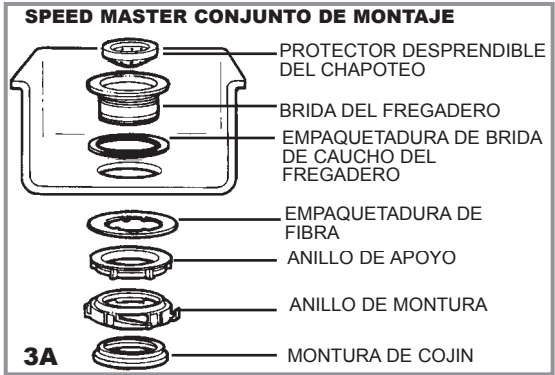
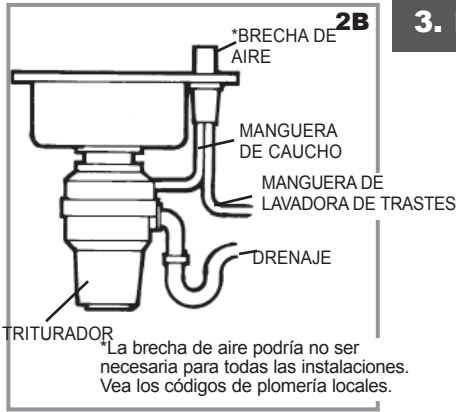
3. INSTALACIÓN DEL CONJUNTO DE MONTAJE—SPEED MASTER

LEA POR COMPLETO ANTES DE COMENZAR

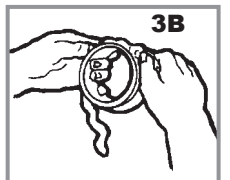
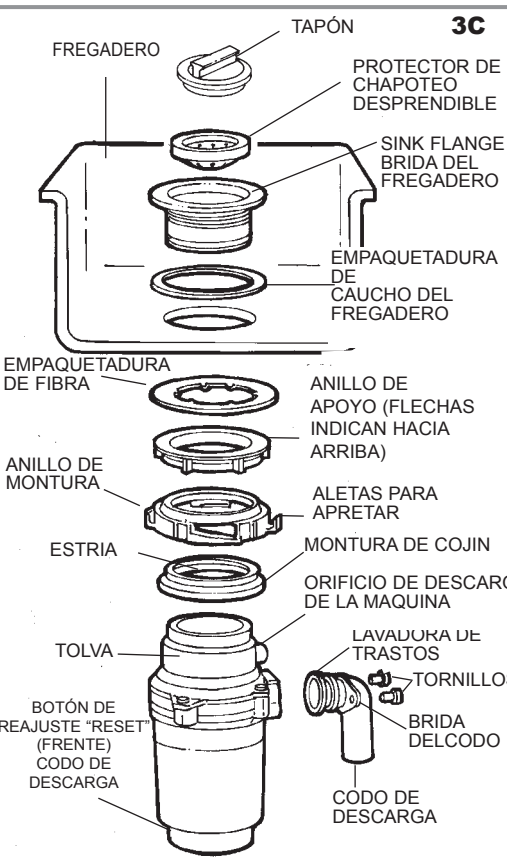
NOTA: Ponga mucha atención al orden de piezas del conjunto de montaje, ya que han sido armadas debidamente por la fábrica. Consulte también las ilustraciones (vea 3A y 3G) de detalles de la montura de cojín más adelante para la debida orientación de la montura de cojín.

NOTA: Trate de practicar esta instalación antes de meterse debajo del fregadero para que pueda "experimentar" como se acomodan las partes.

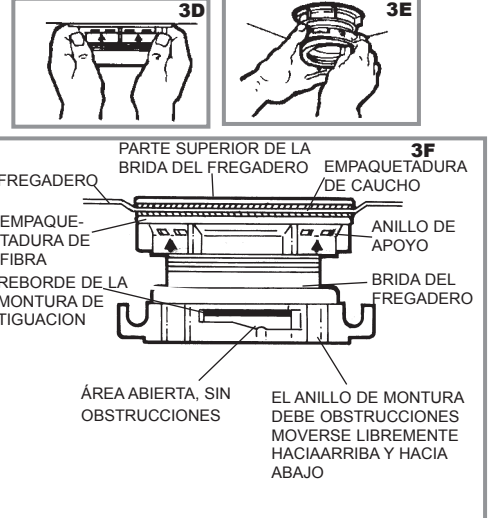
- Desconecte el conjunto de montaje del triturador dándole vuelta al anillo de montura a la izquierda (en el sentido de las agujas del reloj) y quitándolo
- Levante el anillo de montura hacia la parte superior de la brida del fregadero. Quite la montura de cojín. Quite el anillo de montura. Tal vez quiera practicar instalando la montura de cojín en este momento, antes de meterse debajo del fregadero. Vea el párrafo "H". También vea la "Nota Importante: Detalle de la Montura del Cojín."
- Destornille el anillo de apoyo de la brida del fregadero y quite la empaquetadura de fibra. Lo que le queda ahora es la brida del fregadero y la empaquetadura de caucho.
- Use la empaquetadura de caucho, en vez de masilla de plomero, con fregaderos de acero inoxidable. Use la masilla con otros tipos de fregaderos.
- Si no usa masilla, introduzca la brida del fregadero a través de la empaquetadura de caucho dentro de la abertura del fregadero. No le dé vuelta a la brida del fregadero una vez que quede asentada.
- Si usa masilla en vez de la empaquetadura, forme un anillo alrededor del lado inferior de la brida del fregadero. Introduzca la brida en la abertura del fregadero y oprima firmemente hacia abajo para hacer salir el exceso de masilla. Desde debajo del fregadero, quite el exceso de masilla hasta que quede a ras con el borde inferior de la abertura del fregadero.
- Desde debajo del fregadero, deslice y coloque la empaquetadura de fibra sobre la brida de fregadero expuesta. Asegúrese de que las flechas apunten hacia arriba, y luego atornille el anillo de apoyo sobre la brida del fregadero y apriétela a mano hasta que la brida del fregadero no se mueva. Ahora podrá poner el tapón en el fregadero y llenar éste con agua para verificar que no haya pérdidas de agua a través de la brida del fregadero.
- Coloque el anillo de montura sobre la brida del fregadero y sosténgalo en esa posición mientras instala la montura de cojín (el lado grande hacia abajo) de manera que la estría en la parte interior de la montura de cojín encaje sobre el borde en la brida del fregadero, similar a cuando coloca una tapa en un envase plástico (véase 3C, 3F y 3G). Por favor vea la nota importante que está abajo.
- El triturador debe ser instalado de modo que el botón del reajuste "RESET" sea fácilmente accesible.



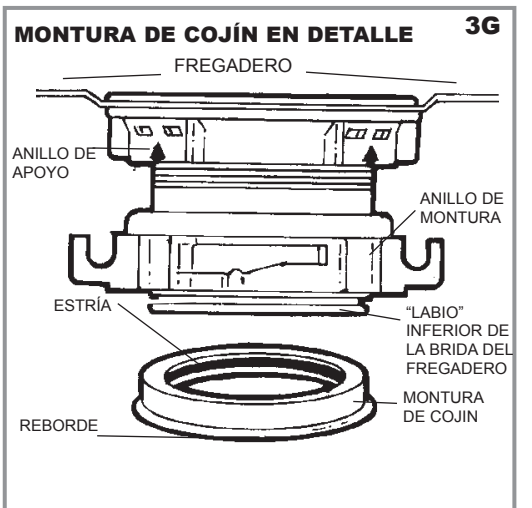
SISTEMA DE MONTAJE "SPEED MASTER"



NOTA IMPORTANTE DETALLE DE LA MONTURA DE COJIN



Cuando la montura del cojín está bien instalada, el labio inferior de la brida del fregadero se acomoda al canal interno del cojín, y el anillo metálico de montura se jala hacia abajo sobre el cojín dejándolo voltear libremente. El reborde del cojín actúa como empaquetadura sellando la porción de abajo de la brida y la parte de arriba del triturador. Vea la ilustración 3G.



4. CONEXIONES ELÉCTRICAS

- A. Conecte el triturador con la corriente apropiada de la casa solamente.

ADVERTENCIA: LA CONEXIÓN INDEBIDA DEL CONDUCTOR QUE CONECTA EL EQUIPO A TIERRA PUEDE PRODUCIR UN RIESGO DE CHOQUE ELÉCTRICO. VERIFIQUE CON UN ELECTRICISTA O TÉCNICO ACREDITADO SI TIENE DUDAS SOBRE SI SU ARTEFACTO ESTÁ DEBIDAMENTE CONECTADO A TIERRA. NO MODIFIQUE EL ENCHUFE QUE VIENE CON EL ARTEFACTO SI NO SE AJUSTA AL TOMACORRIENTE. PÍDALE A UN ELECTRICISTA ACREDITADO QUE INSTALE UN TOMACORRIENTE ADECUADO.

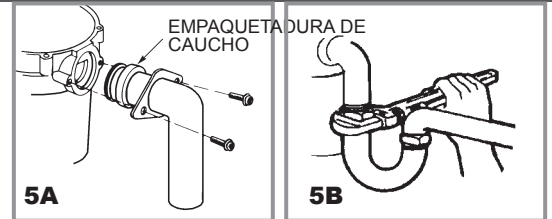
INSTRUCCIONES PARA CONECTAR A TIERRA

FOR WASTE DISPOSERS EQUIPPED WITH A GROUNDED PLUG-IN POWER CORD.

- B. Este artefacto debe ser conectado a tierra. En caso de un funcionamiento defectuoso o una falla, la conexión a tierra ofrece una vía de menos resistencia a la corriente eléctrica y reduce el riesgo de choques eléctricos. Este artefacto está equipado con un cordón de conexión a tierra y un enchufe de conexión a tierra. El enchufe debe ser conectado a un tomacorriente adecuado que esté debidamente instalado y conectado a tierra de conformidad con todos los códigos y reglamentos locales. Si los conductores de alimentación se dañan, lleve el producto a un centro de servicio autorizado para que lo reparen, no intente repararlo usted mismo para evitar riesgos. El triturador debe ser instalado de modo que el botón del reajuste "RESET" sea fácilmente accesible. **Quitar un cable de alimentación adjunto o enchufe invalidará la garantía.**

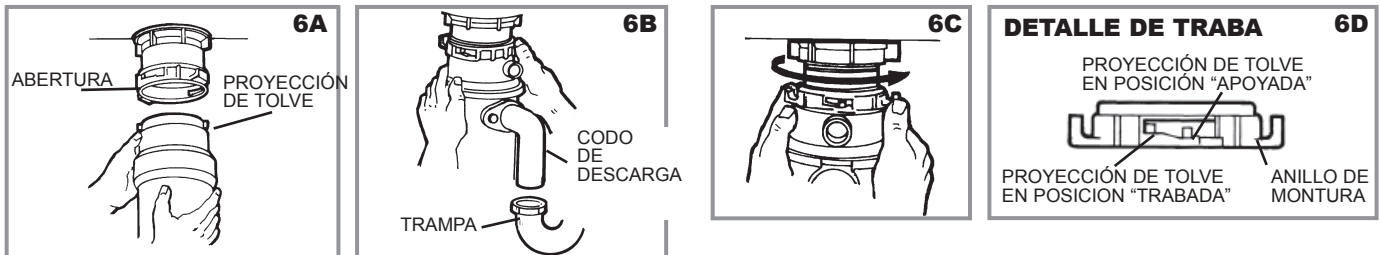
5. CÓMO CONECTAR EL CODO DE DESCARGA

- A. Conecte el codo de desperdicios al triturador (vea 5A), prosiga al paso 6, y luego conecte la parte inferior del codo apretando la tuerca deslizante (vea 5B).
- B. Si está haciendo una conexión a una máquina para lavar trastos, regrese a la sección 2B. En caso contrario, asegúrese que todas las conexiones de tuberías estén bien apretadas según los códigos y reglamentos de plomería. Haga correr el agua y verifique si hay fugas.



6. CÓMO CONECTAR EL TRITURADOR AL CONJUNTO DE MONTAJE

- A. Alinee el triturador debajo del conjunto de montaje. Guíe las proyecciones de la tolva en las ranuras del anillo de montura. Gire el anillo de montura aproximadamente 1/4 pulg. a la derecha de manera que el triturador quede apoyado temporalmente (vea 6A).
- B. Gire el anillo de montura y el triturador hasta que las líneas de salida de desperdicios del triturador queden alineadas con la trampa (vea 6B).
- C. Gire el anillo de montura a la derecha (en el sentido opuesto a las agujas del reloj) hasta que quede firmemente trabado. Golpee ligeramente las aletas del anillo de montaje con un martillo hasta que quede en la posición trabada. Las proyecciones de la tolva deben estar a la extrema izquierda de las ranuras de montaje (véase 6C y 6D).
- D. Si le cuesta trabajo darle vuelta al anillo de montura, puede poner un poco de jalea de petróleo o jabón líquido a las proyecciones de la tolva. Haga correr el agua y verifique si hay fugas.



7. INSTRUCCIONES DE OPERACIÓN

Los impulsores giratorios antiatascamiento hacen un sonido de "clic" al girar y colocarse en su debida posición. Esto indica un funcionamiento normal.

- A. Quite el tapón del fregadero. Abra el agua hasta que logre un flujo mediano de agua fría.
- B. Coloque el interruptor en la posición prendida "ON"; el motor está girando a toda velocidad y está listo para ser usado.
- C. Introduzca desperdicios de comida. Las sobras de comida, mazorcas, cáscaras, semillas, huesos de frutas, huesos de carne pequeños y granos de café, bajarán por el drenaje. Para acelerar la disposición de los desperdicios de comida, corte o deshaga los huesos grandes, las cáscaras y las mazorcas. Los huesos grandes y las cáscaras fibrosas requieren mucho tiempo para triturar, y es más fácil simplemente botarlos con el resto de la basura. No se alarme si el artefacto pierde velocidad al triturar. En realidad, el triturador está aumentando el momento de torsión (potencia de trituración) y está funcionando normalmente.
- D. Antes de apagar el triturador, deje que el agua fluya y el triturador funcione por aproximadamente 15 segundos después que la acción de triturar termine. Esto asegura que todos los desperdicios sean drenados por completo a través de la trampa y el drenaje.
- E. No se recomienda usar agua caliente mientras está funcionando el triturador. El agua fría mantendrá los desperdicios y las grasas en condición sólida para que el triturador pueda drenar las partículas.

SUGERENCIAS

- A. Asegúrese de que el triturador esté vacío antes de usar su máquina lavadora de trastos para que pueda drenarse debidamente.
- B. Posiblemente querrá dejar el tapón en el drenaje cuando no esté en uso el triturador para impedir que caigan utensilios dentro del triturador y objetos extraños.
- C. Su triturador es de construcción sólida y duradera para brindarle muchos años de servicio sin problemas. Triturará todos los desperdicios de comida normales, pero NO triturará ni eliminará objetos tales como el plástico, latas, tapas de botellas, vidrio, loza, cuero, tela, caucho, hilos o conchas de almejas, ostras, hojas de aluminio ni plumas.

8. LIMPIEZA Y MANTENIMIENTO

¡NO INTENTE LUBRICAR SU TRITURADOR!

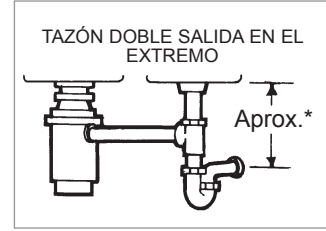
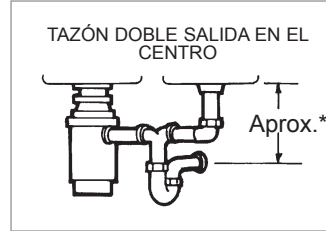
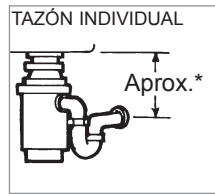
El motor está permanentemente lubricado. El triturador se limpia automáticamente y restriega sus piezas internas después de cada uso.

NUNCA ponga lejía o limpiadores químicos de drenajes en el triturador, ya que producen una corrosión grave de las piezas metálicas. Si son usados, el daño que causan se puede detectar fácilmente, y todas las garantías quedarán anuladas. En el disco de cuchillas de acero inoxidable se pueden formar depósitos de minerales de agua, que dan la apariencia de estar oxidado. NO SE ALARME, los discos de cuchillas de acero inoxidable no se oxidan.

INSTALACIONES TÍPICAS:

* Dimensiones

Economy	10,2 pulgadas /261mm
Standard	10,2 pulgadas /261mm
Mid-Duty	10,9 pulgadas /279mm
Heavy Duty	11,2 pulgadas /285mm
Deluxe	11,2 pulgadas /285mm
Premium	11,2 pulgadas /285mm



	Economy	Standard	Mid Duty	Heavy Duty	Deluxe	Premium
A	13.9	13.9	14.6	16	16	17.3
B	6.3	6.3	7	7.3	7.3	7.3
C	5.2	5.2	7.7	8.7	8.7	8.7
D	5.5	5.5	5.5	5.7	5.7	5.7
E	3.9	3.9	3.9	3.9	3.9	3.9
F	1.5	1.5	1.5	1.5	1.5	1.5

Dimensiones en pulgadas

	Economy	Standard	Mid Duty	Heavy Duty	Deluxe	Premium
A	354	354	372	404	404	439
B	161	161	179	185	185	185
C	132	132	195	220	220	220
D	140	140	140	144	144	144
E	100	100	100	100	100	100
F	38	38	38	38	38	38

Dimensiones en milímetros

Unidades de Suministro por Porciones (no están en la imagen)

- Los 3 modelos más grandes cuentan con una versión de suministro por porciones.
- Interruptor integrado que se activa al insertar el tapón.
- No se necesitan cables ni interruptores adicionales.
- Las unidades de suministro por porciones añaden aprox. 2,1 pulgadas/53mm a la dimensión "A" y "B".

9. DIAGNÓSTICO Y LOCALIZACIÓN DE FALLAS

Antes de tratar de reparar o reemplazar, recomendamos que estudie lo siguiente:

RUIDOS FUERTES: (Además de los causados cuando se trituran huesos pequeños y huesos de frutas): Normalmente, estos son producidos cuando una cuchara, tapa de botella u otro objeto extraño es introducido accidentalmente. Para corregir esto, apague el interruptor eléctrico y cierre el agua. Después de que el triturador se haya detenido por completo, retire el objeto con tenazas de mango largo.

LA UNIDAD NO ARRANCA: Desenchufe el cordón de suministro y, dependiendo de su modelo y la configuración de cableado, coloque el interruptor de pared o el interruptor en la caja de cortacircuitos en la posición apagada OFF. Quite el tapón y/o el protector de chapoteo. Verifique que el disco de cuchillas gire libremente usando un mango de madera de escoba largo. Si el disco de cuchillas gira libremente, verifique si el botón de ajuste "reset" se disparó (vea 9A). El botón de ajuste "reset" es rojo y se encuentra en frente del codo de descarga, cerca de la parte inferior. Oprima el botón hasta que haga "clic" y se quede oprimido.

Si el botón de ajuste "reset" no se disparó, verifique si el alambre conectado al triturador tuvo un cortocircuito o está roto. Revise el interruptor de suministro eléctrico, la caja de fusibles o el cortacircuitos. Si los componentes de cableado y eléctricos están intactos, es posible que la unidad tenga problemas internos que requieren servicio o reemplazo.

SI EL DISCO DE CUCHILLAS NO GIRA LIBREMENTE: Apague el triturador y verifique si hay algún objeto extraño trabado entre el disco de cuchillas y el anillo de trituración. Destrabe y quite el objeto girando el disco con un palo de madera de escoba. Si no hay ningún objeto extraño, puede que haya problemas internos.

FUGAS: Si la unidad tiene fugas en la parte superior, puede ser porque:

1. La brida del fregadero no está asentada debidamente (aplicar masilla o apretar).
2. El anillo de apoyo no está apretado debidamente.
3. Montura de cojín está defectuosa o indebidamente instalado.

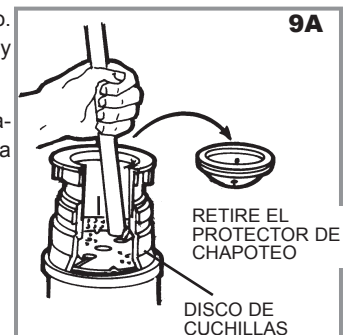
Si la unidad tiene fugas en el codo de desperdicios, las mismas pueden deberse a que los tornillos de la brida del codo no están debidamente apretado.

Si el cordón de **alimentación es dañado**, este debe sustituirse por el fabricante, por su agente de servicio autorizado o por personal calificado con el fin de evitar un peligro.

No se requiere que envíe por correo una tarjeta de garantía. ¡Se requiere comprobante de compra!

Engrepe el recibo o comprobante de compra a este manual. El rastreo del producto se realiza utilizando el número de serie que está en la parte inferior del triturador. Para su conveniencia, escriba el número de modelo y el número de serie en la parte frontal de este manual y guárdelo en sus registros. Si necesita servicio de garantía, llame al 714.993.1707 y tenga el número de serie y el recibo disponibles para el técnico.

Garantía no transferible.



Joneca Corporation
4332 E. La Palma Avenue Anaheim, California 92807
Teléfono: 714.993.5997 Fax: 714.993.2126
Página Web: www.Joneca.com
Correo Electrónico: consumerservice@joneca.com
1-888-8JONECA