

Food Waste Disposer Instruction Manual

See insert for specific information about your new disposer

- NOTE:** This Food Waste Disposer has been designed to operate on 110-120 Volt, 60 Hz exclusively. Using any other voltage or Hz adversely affects performance.
- IMPORTANT:** Read all instructions thoroughly. Keep this guide for future reference.
- CAUTION:** Be sure to review SAFETY INSTRUCTIONS FIRST PERTAINING TO A RISK OF FIRE, ELECTRICAL SHOCK OR INJURY TO PERSONS before using disposer.

Record important disposer information here

Model Number*

Serial Number*

*Above information appears on the label affixed to bottom of the disposer. For your convenience, write down the model and serial number prior to installation. **Proof of purchase is required for Warranty. Staple receipt or proof of purchase to this manual for easy reference.**
Warranty is non-transferable.

IMPORTANT SAFETY INSTRUCTIONS

INSTRUCTIONS PERTAINING TO A RISK OF FIRE, ELECTRIC SHOCK OR INJURY TO PERSONS. SAVE THESE INSTRUCTIONS.

WARNING – When using electrical appliances, basic precautions should always be followed, including the following:

1. Read all instructions before using the appliance.
2. To reduce the risk of injury, close supervision is necessary when an appliance is used near children.
3. Do not put fingers or hands into a waste disposer.
4. Turn the power switch to the off position before attempting to clear a jam or remove an object from the disposer.
5. When attempting to loosen a jam in a waste disposer, use a long wooden object such as a wooden spoon or the wooden handle of a broom or mop.
6. When attempting to remove objects from a waste disposer use long-handled tongs or pliers. If the disposer is magnetically actuated, non-magnetic tools should be used.
7. To reduce the risk of injury by materials that may be expelled by a waste disposer, do not put the following into a disposer: clam or oyster shells; caustic drain cleaners or similar products; glass, china or plastic; large whole bones; metal, such as bottle caps, tin cans, aluminum foil or utensils; hot grease or other hot liquids; whole corn-husks.
8. When not operating a disposer, leave the stopper in place to reduce the risk of objects falling into the disposer.
9. DO NOT operate disposer unless splash guard is in place.
10. For proper grounding instructions see the ELECTRICAL CONNECTIONS portion of this manual.

The receptacle to which this appliance is connected must be controlled by a switch.

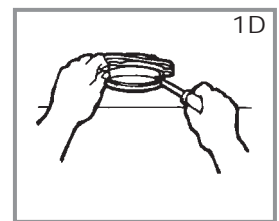
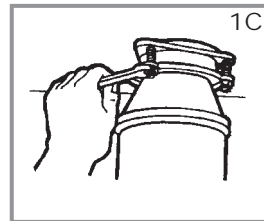
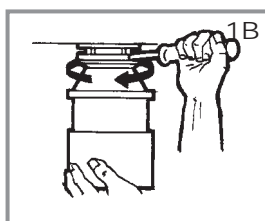
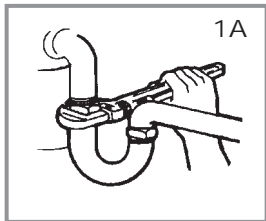
1. REMOVAL OF OLD UNIT

TYPICAL INSTRUCTIONS, YOUR MODEL MAY VARY.

Before starting this step, turn off electrical power at the circuit breaker or fuse box. Unplug disposer.

If your old mount is the same type as the mount on your new disposer, just reverse the assembly instructions found in section 3. If your new mount system is different, follow these instructions:

- A. Have a container available to catch any excess water / waste from current disposer.
- B. Use a pipe wrench to disconnect drain line where it attaches to disposer discharge elbow (see 1A).
- C. Remove disposer from sink flange by turning mount ring to the left clockwise (see 1B). If you are unable to turn the mount ring, tap on one of the extensions from the ring with a hammer. Some mounting systems have tubular extensions. Inserting a screwdriver into one tube will provide additional leverage for turning the mount ring (see 1B). Some disposers may require the removal or loosening of nuts from the mount screws (see 1C). Some disposers may require the removal of a clamp.



Caution: Be sure to support the disposer while performing this step or it may fall when the mounting ring is disconnected from the mounting assembly.

- D. To remove remaining mount system from the sink, loosen mount screws, push mount ring up. Under it is the snap ring. Use screwdriver to pop off ring (see 1D). Remove mount ring, protector ring and gasket from sink flange. Some mounts will require the unscrewing of a large ring holding the sink flange in place. Pull sink flange up through sink and clean off old putty from sink.
- E. Ensure that sink is clean and thoroughly dry.

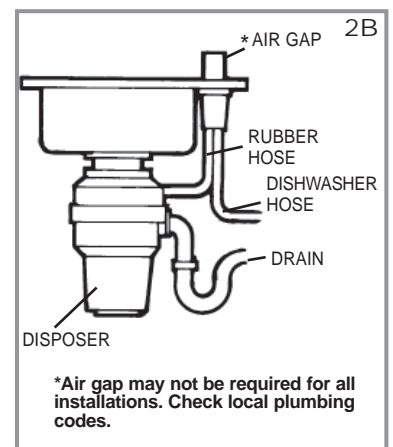
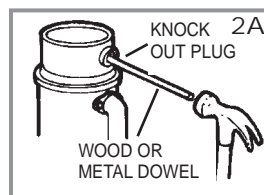
IMPORTANT: This is a good time to clean out the trap and drain lines by running a drain auger or plumber's snake before installing your new disposer.

2. DISHWASHER CONNECTION

IF DISHWASHER IS NOT TO BE CONNECTED GO ON TO SECTION 3.






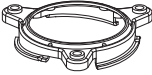





If you are utilizing a dishwasher, complete the following procedure.

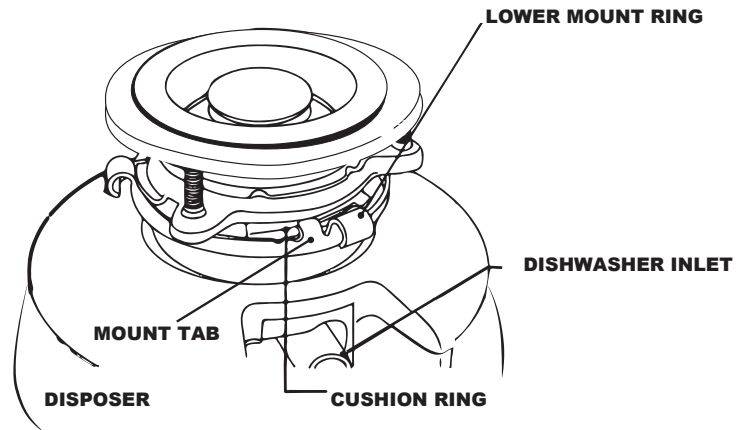
- A. Using a blunt instrument (steel punch or wooden dowel), knock out entire plug (see 2A). Do not use a screwdriver or sharp instrument. (When knockout plug falls into disposer, you may remove it or grind it up when the disposer is used. This will not damage the disposer in any way, but may take some time to grind).
- B. Connect dishwasher hose (see 2B) using hose clamp. Make sure all plumbing connections are tight and in accordance with all plumbing codes and ordinances. Run water and check for leaks.



3. INSTALLATION OF MOUNTING ASSEMBLY

READ CAREFULLY AND COMPLETELY BEFORE STARTING

- A**  **STOPPER**
- B**  **REMOVABLE SPLASH GUARD**
- C**  **SINK FLANGE**
- D**  **FIBER GASKET**
- E**  **SUPPORT FLANGE**
- F**  **UPPER MOUNT RING**
- G**  **MOUNT SCREWS**
- H**  **RETAINER RING**
- I**  **CUSHION RING***
- J**  **LOWER MOUNT RING***
- K**  **SILVER GUARD® (Included in White Box with Deluxe & Premium Models. Not Included in Canadian Models.)**



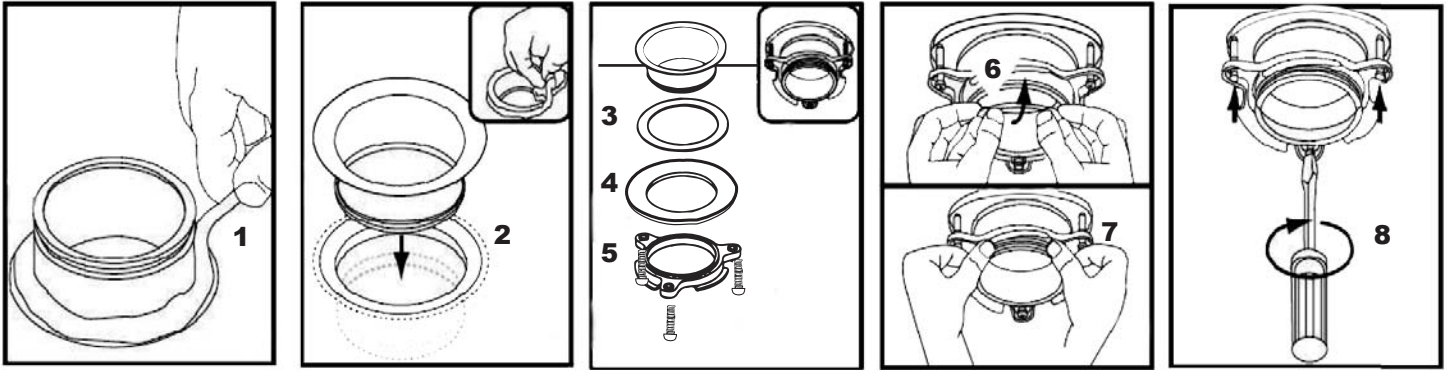
NOTE: Cushion Ring included between the Upper Mount Ring and Lower Mounting Ring.

* Part not disengaged during disposer installation.

NOTE: As the mounting assembly is properly assembled at the factory, please pay close attention to the order of the mounting system parts.

- a. **The Cushion Ring and the Lower Mount Ring will remain attached to the disposer during installation.** Take apart the other parts of the mounting assembly by rotating Lower Mount Ring (J) clockwise until the Lower Mount Ring Tabs slide off from the Upper Mount Ring ramp. This allows you to pull the Sink Flange up and out of the remaining Lower Mount Assembly. Note the order of these parts as they are arranged in the required order. Unscrew the 3 Mount Screws until the Upper Mount Ring can be moved to the top of the Support Flange. Remove the Retainer Ring with a screw driver.
- b. Keep the remaining parts placed together in the order they were removed. Before you connect the disposer to the mount assembly under the sink, make sure the Lower Mount Ring is in place and the black Cushion Ring is still engaged properly to the top of the hopper. (Do Not Remove It)

INSTALLATION OF MOUNTING ASSEMBLY (CONTINUED)



c. Be sure the sink is clean. Load the underside rim of the sink flange with plumber's putty (1). From top of the sink, push the sink flange down against the sink opening to make a good seal (2). **DO NOT MOVE OR ROTATE** the sink flange once it has been seated or the seal may be broken.

d. **Place a heavy object, such as the disposer (use a towel to prevent sink scratching) on top of the Sink Flange to hold it down.**

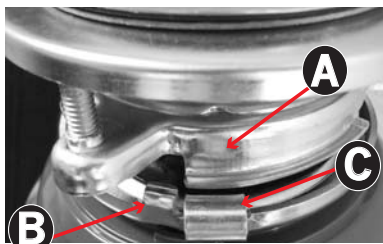
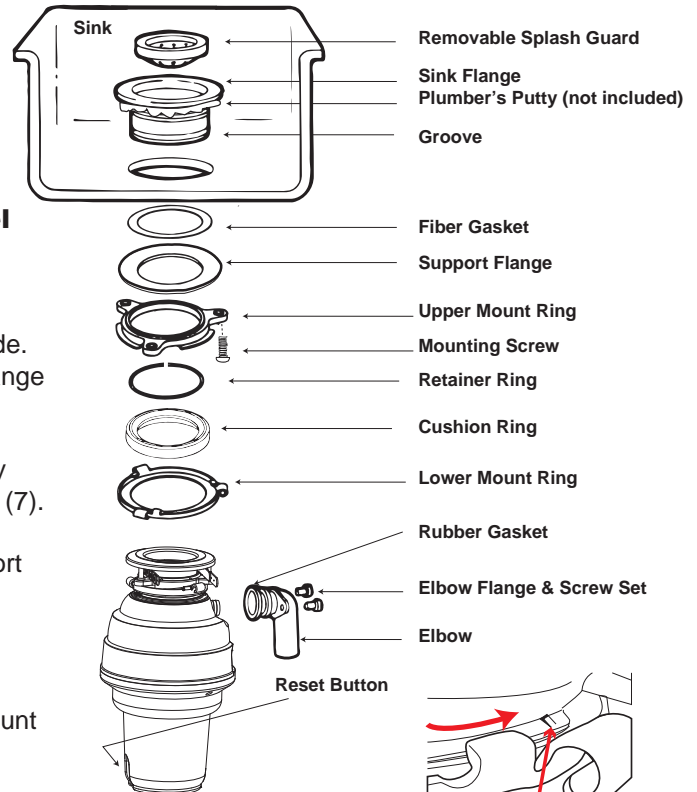
e. Take the remaining portion of the mount assembly, that was put aside. From under the sink insert the Fiber Gasket (3), then the Support Flange (4), and then the Upper Mount Ring (5).

f. Hold the three parts in place while attaching the Retainer Ring (6) by pulling it apart and having it snap within the groove of the sink flange (7).

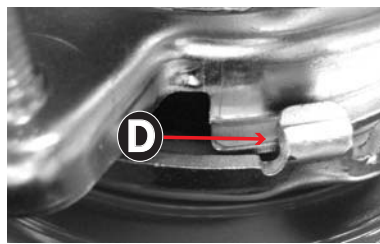
g. Tighten the three Mount Screws evenly and firmly against the Support Flange (8). **Do not over tighten.**

h. Trim off any excess plumber's putty.

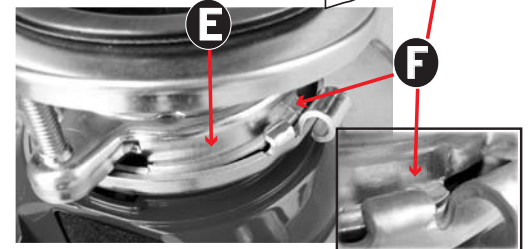
i. Attach disposer onto the Upper Mount Ring by aligning the three mount tabs on the Lower Mount Ring with the slide-up Ramps on the Upper Mount Ring and rotating counter clockwise. See Below.



The lower mounting ring (which is part of the disposer) has 3 tabs that grab the mounting ring ramp. (A) points to the Upper Mount Ring. (B) is the tab that slides up onto the "Ramp". (C) is the "Ear" that is used to help rotate the Lower Mount Ring. Use a screwdriver for leverage if needed.



Lift and turn the Lower Mount Ring counter clockwise until all three mount tabs lock over the Ridges (D) of the Upper Mount Ring.



As the Lower Mount Ring is turned counter clockwise each tab slides up onto the Upper Mount Ring Ramp (E) and locks in position over the Ridges (F).

Use a screwdriver or hammer for leverage if needed.

If a disposer needs to be removed, tapping on the Ear clockwise with a hammer will easily loosen the Lower Mount Ring.

4. ELECTRICAL CONNECTIONS

- A. Connect disposer to appropriate household current only.

The receptacle to which this appliance is connected must be controlled by a switch.

WARNING: IMPROPER CONNECTION OF THE EQUIPMENT-GROUNDING CONDUCTOR CAN RESULT IN A RISK OF ELECTRIC SHOCK. CHECK WITH A QUALIFIED ELECTRICIAN OR SERVICEMAN IF YOU ARE IN DOUBT AS TO WHETHER THE APPLIANCE IS PROPERLY GROUNDED. DO NOT MODIFY THE PLUG PROVIDED WITH THE APPLIANCE IF IT WILL NOT FIT THE OUTLET. HAVE A PROPER OUTLET INSTALLED BY A QUALIFIED ELECTRICIAN.

GROUNDING INSTRUCTIONS

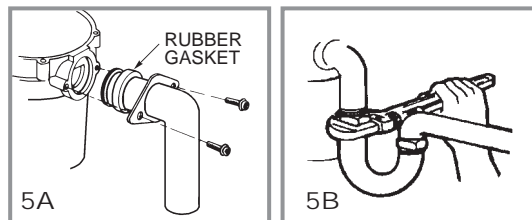
FOR WASTE DISPOSERS EQUIPPED WITH A GROUNDED PLUG-IN POWER CORD.

- B. This appliance must be grounded. In the event of a malfunction or breakdown, grounding provides a path of least resistance for electric current to reduce the risk of electric shock. This appliance is equipped with a cord having an equipment-grounding conductor and

a grounding plug. The plug must be plugged into an appropriate outlet that is properly installed and grounded in accordance with all local codes and ordinances. If the supply cord is damaged it must be replaced by the manufacturer, its service agent or similarly qualified person in order to avoid a hazard. **Removing an attached power cord or plug voids the warranty.**

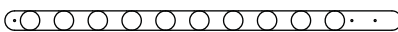
5. ATTACHING DISCHARGE ELBOW

- A. Connect waste elbow to the disposer (see 5A), proceed to step 6 and then connect bottom of the elbow by tightening the slip nut (see 5B). If using a straight pipe, it must have a lip similar to the one on the elbow. Remove the gasket from the elbow and install it on the straight pipe with the flat end of the gasket facing toward the disposer discharge opening.
- B. If you are connecting to a dishwasher, return to section 2B. If not, make sure all plumbing connections are tight and in accordance with all plumbing codes and ordinances. Run water and check for leaks.

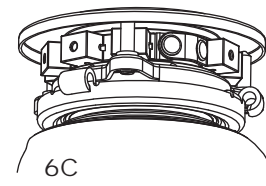
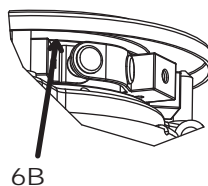
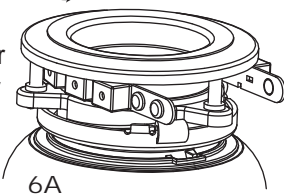


6. MOUNTING SILVER GUARD® TO SINK FLANGE

After the disposer is fully mounted to the sink; with the flat portion of the black strap facing the metal sink flange, guide the Silver Guard® through the mount screws, (6A). Place the Silver Guard® between the Support Flange and Upper Mount Ring. Please note (6B) that the Silver Guard® must be placed under the flange of the Support Ring. Once the Silver Guard® is fitted, firmly press on the snaps to secure the strap (6C).



Included with Deluxe & Premium Models.
Not Included in Canadian Models.



WARNING: This is not a toy. Keep uninstalled Silver Guard® away from children.

7. OPERATING INSTRUCTIONS

The Anti-Jam Swivel Impellers make a clicking sound as they initially swing into place. This indicates normal operation.

- A. Remove sink stopper. Turn on a medium flow of cold water.
- B. Turn switch to ON position; your motor is turning at full speed and ready to use.
- C. Scrape in food waste. Down the drain go table scraps, peelings, rinds, seeds, pits, small bones and coffee grounds. To speed up food waste disposal, cut or break up large bones, rinds and cobs. Large bones and fibrous waste require considerable grinding time

and are more easily thrown away with other trash. Do not be alarmed that the disposer slows down while grinding. The disposer is actually increasing torque (grinding power) and is operating under normal conditions.

- D. Before turning disposer off, let water and disposer run for approximately 15 seconds after shredding or grinding stops. This assures that all waste is thoroughly flushed through trap and drain.
- E. It is not recommended to use hot water while running disposer. Cold water will keep waste and fats solid so disposer can flush away particles.

TIPS FOR SUCCESSFUL OPERATION

- A. Be sure disposer is empty before using your dishwasher so it may drain properly.
- B. You may want to leave the stopper in the sink drain when not in use to prevent utensils and foreign objects from falling into the disposer.
- C. Your disposer is ruggedly built to give you many years of trouble free service. It will handle all normal food wastes, but it will NOT grind or dispose of such items as plastic, tin cans, bottle caps, glass, china, leather, cloth, rubber, string, clam and oyster shells, aluminum foil or feathers.

8. CLEANING AND MAINTENANCE

DO NOT ATTEMPT TO LUBRICATE YOUR DISPOSER!

The motor is permanently lubricated. The disposer is self cleaning and scours its internal parts with each use.

NEVER put lye or chemical drain cleaners into the disposer, as they cause serious corrosion of metal parts. If used, resulting damage can be easily detected and all

warranties are void. Mineral deposits from your water can form on the stainless steel turntable, giving the appearance of rust. DO NOT BE ALARMED, the stainless steel turntables used will not corrode.

9. TROUBLESHOOTING

Before seeking repair or replacement, we recommend that you review the following:

LOUD NOISES: (Other than those during grinding of small bones and fruit pits): These are usually caused by accidental entry of a spoon, bottle cap or other foreign object. To correct this, turn off electrical switch and water. After disposer has stopped, remove splash guard, remove object with long handled tongs, and replace splash guard.

UNIT DOES NOT START: Unplug power cord or turn either the wall switch or breaker box switch to "OFF" position, depending on your model and wiring configuration. Remove stopper and/or splash guard. Check to see if turntable will rotate freely using a wooden broom handle. If turntable rotates freely, replace splash guard and check reset button to see if it has been tripped. Reset button is red and located on the front of the disposer. Push button in until it clicks and remains depressed.

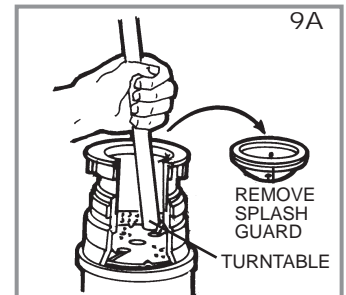
If reset button has not been tripped, check for shorted or broken wire connecting to disposer. Check electrical power switch, fuse box or circuit breaker. If wiring and electrical components are intact, the unit may have internal problems that require service or replacement.

IF TURNTABLE DOES NOT ROTATE FREELY: Turn off disposer, then check for any foreign object lodged between the turntable and grind ring. Dislodge object by rotating table with a wooden broom handle (see 9A) and remove object. If no foreign object is present, there may be internal problems.

LEAKS: If the unit leaks at the top, it may be due to:

1. Improper seating of sink flange (gasket centering, putty or tightening).
2. Support ring not tightened properly.
3. Defective or improperly installed cushion mount.

If unit leaks at the waste elbow, leak may be due to improper tightening of elbow flange screws.



Manual de Instrucciones del Triturador de desperdicios de Alimentos

- NOTA:** Este triturador de alimentos ha sido diseñado para funcionar con 110V-120V, 60Hz, 60 Hz exclusivamente. El uso de cualquier otro voltaje o nivel de Hertz afectará negativamente el rendimiento del aparato.
- IMPORTANTE:** Lea todas las instrucciones con atención. Guarde esta guía para cualquier consulta en el futuro.
- PRECAUCIÓN:** Asegúrese de repasar PRIMERO LAS INSTRUCCIONES DE SEGURIDAD SOBRE PELIGROS DE FUEGO, CHOQUES ELÉCTRICOS O LESIONES A PERSONAS antes de instalar el triturador.

Anote aquí la información del triturador de comida

NÚMERO DE MODELO* _____ NÚMERO DE SERIE* _____

*La información anterior se encuentra en la etiqueta adherida a la parte inferior del triturador. Para su conveniencia, anote los números de modelo y de serie antes de la instalación. Se requiere prueba de compra para la garantía. Engrape el recibo o el comprobante de compra a este manual para consultarlo fácilmente. Garantía no transferible. GARANTÍA NO VÁLIDA PARA MÉXICO

INSTRUCCIONES DE SEGURIDAD IMPORTANTES

INSTRUCCIONES CONCERNIENTES AL RIESGO DE FUEGO, CHOQUE ELECTRICO O LESIONES A PERSONAS. GUARDE ESTAS INSTRUCCIONES.

ADVERTENCIA - Cuando utilice aparatos eléctricos, siempre debe seguir precauciones básicas, incluyendo las siguientes:

1. Lea todas las instrucciones antes de utilizar el aparato.
2. Para reducir el riesgo de lesiones, es necesaria la cercana supervisión cuando un aparato es utilizado cerca de niños.
3. No ponga dedos o manos dentro de un triturador de basura.
4. Ponga el interruptor a la posición apagada antes de intentar desatorar un objeto o remover un objeto del triturador.
5. Cuando intente aflojar una obstrucción en el triturador de basura, utilice un objeto largo de madera tal como una cuchara de madera o el mango de madera de una escoba o trapeador.
6. Cuando intente remover objetos del triturador de basura, utilice pinzas o alicates de mango largo. Si el triturador es magnéticamente accionado, se deberán usar herramientas no-magnéticas.
7. Para reducir el riesgo de lesiones por materiales que puedan ser expulsados por el triturador de basura, no coloque los siguientes dentro del triturador: conchas de ostiones o almejas; limpiadores de drenaje cáusticos o productos similares; vidrio, loza o plástico; huesos grandes y enteros; metales, tales como tapas de botellas, latas, papel de aluminio o utensilios; grasa caliente u otros líquidos calientes; cáscaras enteras de maíz.
8. Cuando no esté operando el triturador, coloque el tapón en su lugar para reducir el riesgo de que caigan objetos dentro del triturador.
9. NO opere el triturador a menos que el protector de protección esté en su lugar.
10. Para ver las instrucciones adecuadas para la conexión a tierra, consulte la sección de CONEXIONES ELÉCTRICAS de este manual.

El receptáculo con el que está conectado este aparato debe ser controlado por un interruptor.

1. RETIRO DE LA UNIDAD ANTERIOR

INSTRUCCIONES TÍPICAS, SU MODELO PUEDE VARIAR.

Antes de comenzar este paso, dé vuelta apagado a la corriente eléctrica en el triturador del circuito funda la caja. Desenchufe el triturador.

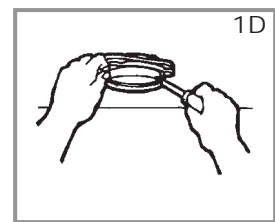
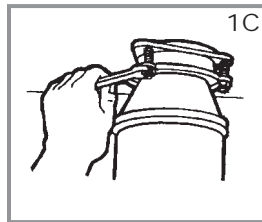
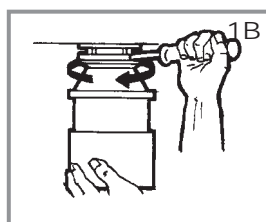
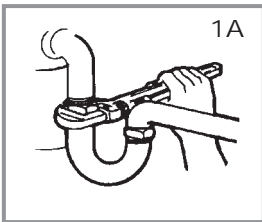
Si su viejo montaje es igual que el montaje en su nuevo triturador, revés justo que las instrucciones de asamblea encontraron en la sección 3. Si su nuevo sistema del montaje es diferente, siga estas instrucciones:

- Utilice una llave de la pipa para desconectar la línea de dren donde él las fijaciones al codo de la descarga del triturador (véase el 1A).
- Quite el triturador de la brida del fregadero dando vuelta al anillo de montaje a la izquierda a la derecha (véase el 1B). Si no puede dar vuelta al anillo de montaje, golpee ligeramente en una de las extensiones del anillo con un martillo. Algunos sistemas del montaje tienen extensiones tubulares. La inserción de un destornillador en un tubo proporcionará la palancada adicional para dar vuelta al anillo de montaje (véase el 1B). Algunos trituradores pueden requerir que se retiren o aflojen tuercas de los tornillos del montaje (véase C). Algunos trituradores pueden requerir que se retire una abrazadera.

Precaución: Asegúrese que el triturador esté apoyado mientras realiza este paso, pues se puede bajar cuando el anillo de montaje se desconecte del montaje de montaje.

- Para quitar el sistema restante del montaje del fregadero, afloje los tornillos del montaje, y empuje hacia arriba el anillo. Bajo él está el anillo rápido. Utilice el destornillador para hacer estallar del anillo (véase el 1D). Quite el anillo de montaje, el anillo del protector y el empaquetamiento de la brida del fregadero. Algunos montajes requerirán destornillar de un anillo grande que sostiene el reborde del fregadero en lugar. Jale el reborde del fregadero hacia arriba a través de fregadero y limpie de la vieja masilla de fregadero.

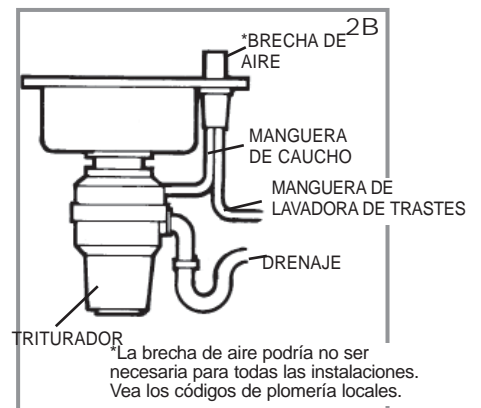
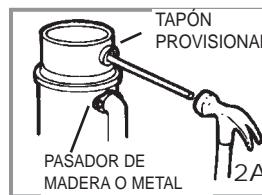
IMPORTANTE: Este es un buen momento para limpiar la trampa y las líneas de drenaje introduciendo una barrena o serpiente de plomero antes de instalar su nuevo triturador.



2. CONEXIÓN DE MÁQUINA LAVAVAJILLAS

Si usa una máquina lavadora de trastes, complete el siguiente procedimiento. Si no está conectada a una máquina lavadora de trastes, prosiga a la sección 3.

- Con un instrumento desafilado (puzón de acero o espiga de madera), golpee y saque todo el tapón provisional (vea 2A). No use un destornillador u otro instrumento afilado. Cuando el tapón provisional cae dentro del triturador, puede retirarlo o simplemente triturarlo cuando use el triturador. Esto no dañará el triturador en lo absoluto, pero es posible que tome algún tiempo para desmenuzarlo por completo.
- Conecte la manguera de la máquina lavadora de trastes usando la abrazadera de la manguera (vea 2B, pág. 2). Asegúrese que todas las conexiones de tuberías estén bien apretadas según los códigos y reglamentos de plomería. Haga correr el agua y verifique si hay fugas.



3. INSTALACIÓN DEL ENSAMBLE DE MONTAJE ASSEMBLY

A  **TAPÓN**

B  **PROTECCIÓN DE SALPICADERA DESMONTABLE**

C  **BRIDA DEL FREGADERO**

D  **EMPAQUETADURA DE FIBRA**

E  **BRIDA DE SOPORTE**

F  **ANILLO DE MONTAJE SUPERIOR**

G  **TORNILLOS DE MONTAJE**

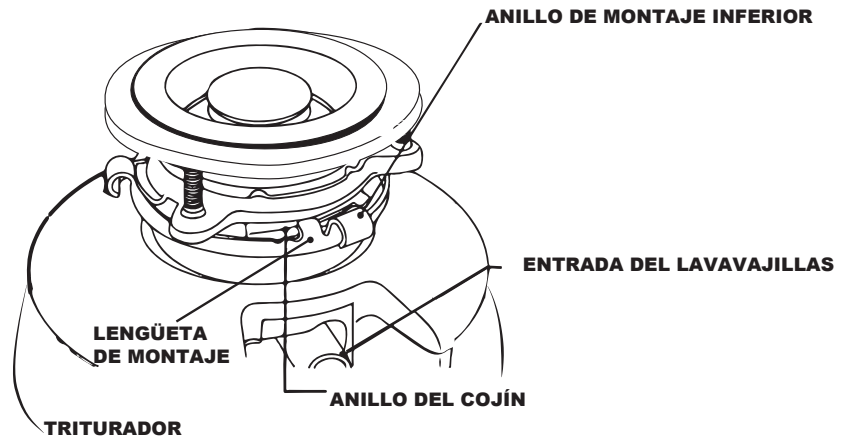
H  **ANILLO DE RETENCIÓN**

I  **ANILLO DEL COJÍN***

J  **ANILLO DE MONTAJE INFERIOR***

K  **SILVER GUARD® (Incluido en cartón blanco con modelos Deluxe y Premium) No incluido en los modelos canadienses.**

LEA LO SIGUIENTE POR COMPLETO ANTES DE COMENZAR



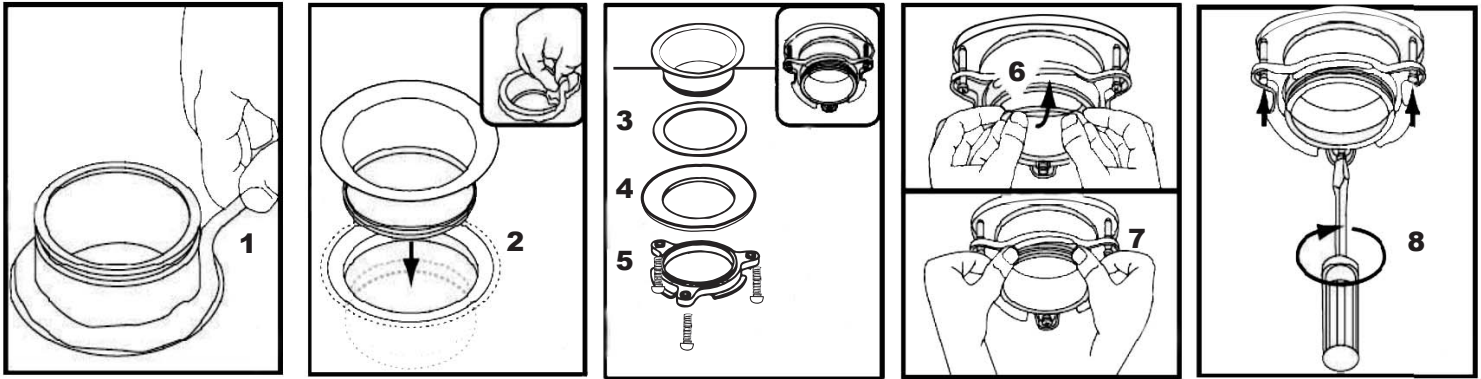
NOTA: El cojín del anillo está incluido entre el anillo de montaje superior y el anillo de montaje inferior.

* Parte no separada durante la instalación del triturador.

NOTA: El ensamble de montaje se arma siguiendo un orden en la fábrica, por lo que por favor preste mucha atención al orden de las piezas del sistema de montaje.

- a. **El anillo del cojín y el anillo de montaje inferior deben estar ya unidos al triturador durante la instalación.** Desensamble las otras partes del ensamble de montaje girando el anillo de montaje inferior (J) en el sentido de las manecillas del reloj hasta que las lengüetas de los anillos de montaje inferiores se deslicen y salgan de la rampa del anillo de montaje superior. Así podrá jalar la brida del fregadero hacia arriba para sacarla del ensamble de montaje inferior. Tome nota del orden de estas piezas, puesto que tienen un orden requerido. Afloje los 3 tornillos de montaje hasta que el anillo de montaje superior se pueda mover a la parte superior de la brida de soporte. Retire el anillo de retención con un destornillador.
- b. Coloque las partes restantes juntas en el orden en que fueron retiradas. Antes de conectar el triturador al ensamble de montaje debajo del fregadero, verifique que el anillo de montaje inferior esté en su lugar y el anillo del cojín negro siga correctamente sujeto a la parte superior de la tolva. (No lo quite.)

INSTALACIÓN DEL CONJUNTO DE MONTAJE (CONTINUACIÓN)



c. Verifique que el fregadero esté limpio. Ponga masilla de plomería en el borde inferior de la brida del fregadero (1). Desde la parte superior del fregadero, empuje la brida del fregadero hacia abajo, hacia la abertura del fregadero para que queden bien sellados (2). **NO MUEVA NI GIRE** la brida del fregadero una vez que se haya sellado, pues el sello se puede romper.

d. **Coloque un objeto pesado, como el triturador (use una toalla para evitar que raye el fregadero) en la parte superior de la brida del fregadero para que haga presión hacia abajo.**

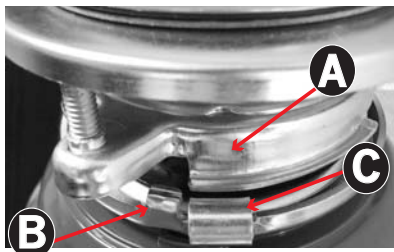
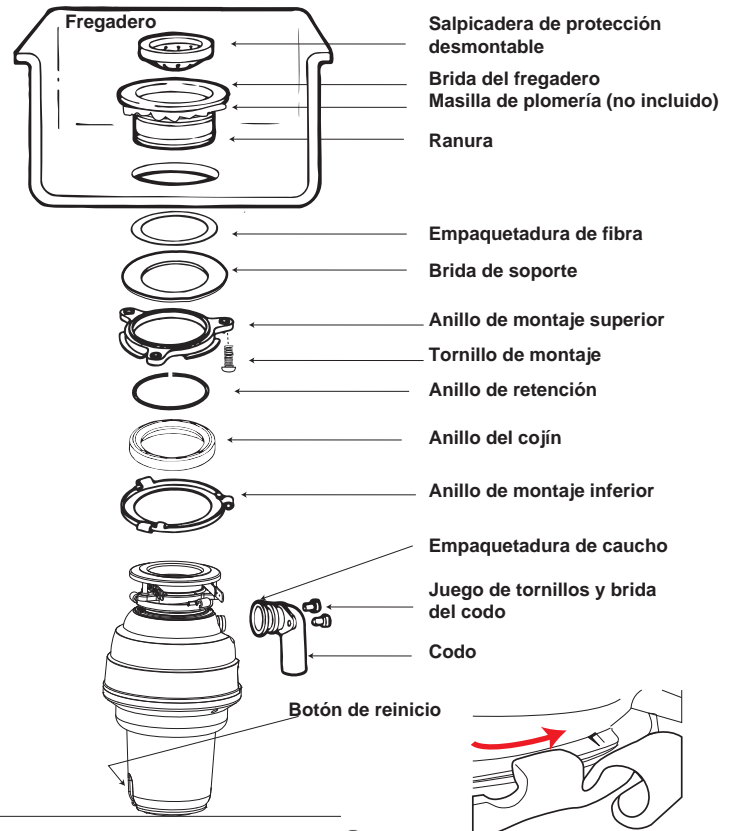
e. Tome la parte restante del ensamble de montaje que había puesto a un lado. Por debajo del fregadero, inserte la empaquetadura de fibra (3), después la brida de soporte (4), y después el anillo de montaje superior (5).

f. Mientras mantiene las tres piezas en su lugar, separe el anillo de retención (6) y fíjelo encajándolo en la ranura de la brida del fregadero (7).

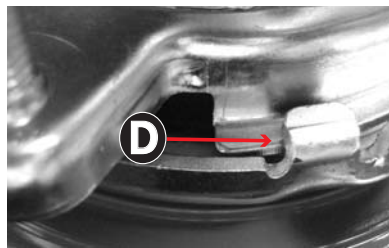
g. Apriete uniformemente los tres tornillos de montaje de manera y firmemente contra la brida de apoyo (8). **No los apriete demasiado.**

h. Corte el exceso de masilla de plomero.

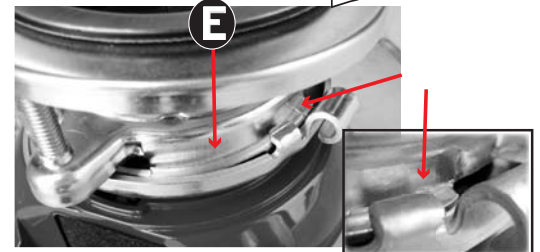
i. Fije el triturador en el anillo de montaje superior alineando las tres lengüetas de montaje del anillo de montaje inferior con las rampas deslizables del anillo de montaje superior y gire en sentido contrario al de las manecillas del reloj. Consulte las imágenes siguientes.



El anillo de montaje inferior (que es parte del triturador) tiene 3 pestañas que sujetan la rampa del anillo de montaje. (A) apunta al anillo de montaje superior. (B) es la lengüeta que se desliza hacia arriba, sobre la "rampa". (C) es la "oreja" que se utiliza para girar el anillo de montaje inferior. Si es necesario, use un destornillador para hacer palanca.



Levante y gire el anillo de montaje inferior en sentido contrario al de las manecillas del reloj hasta que las tres lengüetas de montaje se encuentren pasando las crestas (F) en los bordes de las rampas deslizables (D) del anillo de montaje superior.



A medida que gire el anillo de montaje inferior en el sentido contrario al de las manecillas del reloj, cada lengüeta se deslizará hacia arriba por la rampa del anillo de montaje superior (E) hasta que se encuentren pasando las crestas (F) en los bordes de las rampas deslizables (D) del anillo de montaje superior. Utilice un destornillador o martillo palanca si es necesario. Si necesita retirar el triturador, use un martillo para darle golpes a la oreja en el sentido de las manecillas del reloj; de esta manera podrá aflojar fácilmente el anillo de montaje inferior.

4. CONEXIONES ELÉCTRICAS

- A. Conecte el triturador con la corriente apropiada de la casa solamente.

El receptáculo con el que está conectado este aparato debe ser controlado por un interruptor.

ADVERTENCIA: LA CONEXIÓN INDEBIDA DEL CONDUCTOR QUE CONECTA EL EQUIPO A TIERRA PUEDE PRODUCIR UN RIESGO DE CHOQUE ELÉCTRICO. VERIFIQUE CON UN ELECTRICISTA O TÉCNICO ACREDITADO SI TIENE DUDAS SOBRE SI SU ARTEFACTO ESTÁ DEBIDAMENTE CONECTADO A TIERRA. NO MODIFIQUE EL ENCHUFE QUE VIENE CON EL ARTEFACTO SI NO SE AJUSTA AL TOMACORRIENTE. PÍDALE A UN ELECTRICISTA ACREDITADO QUE INSTALE UN TOMACORRIENTE ADECUADO.

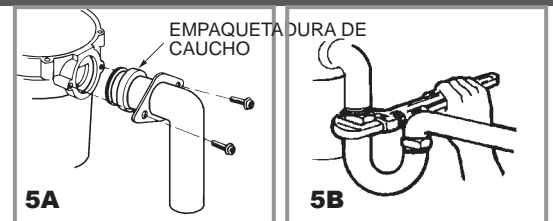
INSTRUCCIONES PARA CONECTAR A TIERRA

TRITURADORES DE DESPERDICIOS EQUIPADOS CON CABLE Y ENCHUFE PARA CONECTAR A TIERRA

- B. Este artefacto debe ser conectado a tierra. En caso de un funcionamiento defectuoso o una falla, la conexión a tierra ofrece una vía de menos resistencia a la corriente eléctrica y reduce el riesgo de choques eléctricos. Este artefacto está equipado con un cordón de conexión a tierra y un enchufe de conexión a tierra. El enchufe debe ser conectado a un tomacorriente adecuado que esté debidamente instalado y conectado a tierra de conformidad con todos los códigos y reglamentos locales. Si los conductores de alimentación se dañan, lleve el producto a un centro de servicio autorizado para que lo reparen, no intente repararlo usted mismo para evitar riesgos. El triturador debe ser instalado de modo que el botón del reajuste "RESET" sea fácilmente accesible. **Quitar un cable de alimentación adjunto o enchufe invalidará la garantía.**

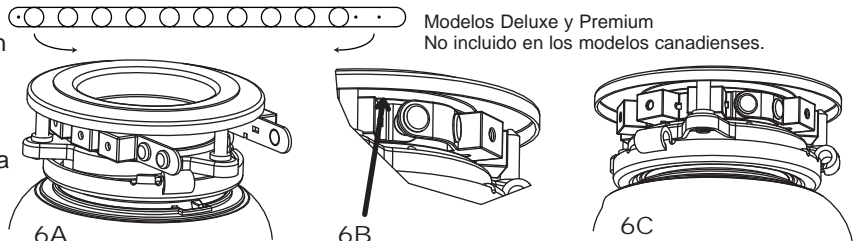
5. CÓMO CONECTAR EL CODO DE DESCARGA

- A. Conecte el codo de desperdicios al triturador (vea 5A), prosiga al paso 6, y luego conecte la parte inferior del codo apretando la tuerca deslizante (vea 5B). Si se utiliza un tubo recto, debe tener un borde similar al del codo. Retire la junta del codo e instálela en el tubo recto con el extremo plano de la junta de frente a la abertura de descarga del triturador.
- B. Si está haciendo una conexión a una máquina para lavar trastos, regrese a la sección 2B. En caso contrario, asegúrese que todas las conexiones de tuberías estén bien apretadas según los códigos y reglamentos de plomería. Haga correr el agua y verifique si hay fugas.



6. MONTAJE DEL SILVER GUARD® EN LA BRIDA DEL FREGADERO

Una vez que el triturador esté montado totalmente en el fregadero: con la parte plana de la correa negra que está frente a la brida del fregadero de metal, pase el Silver Guard® a través de los tornillos de montaje (6A). Coloque el Silver Guard® entre la brida de soporte y el anillo de montaje superior. Tenga en cuenta que el Silver Guard® debe colocarse debajo de la brida del anillo de soporte (6B). Una vez que haya instalado el Silver Guard®, presione firmemente en los sujetadores a presión para fijar la correa (6C).



ADVERTENCIA: Este no es un juguete. Mantenga el Silver Guard® sin instalar fuera del alcance de los niños.

7. INSTRUCCIONES DE OPERACIÓN

Los impulsores giratorios antiatascamiento hacen un sonido de "clic" al girar y colocarse en su debida posición. Esto indica un funcionamiento normal.

- A. Quite el tapón del fregadero. Abra el agua hasta que logre un flujo mediano de agua fría.
- B. Coloque el interruptor en la posición prendida "ON"; el motor está girando a toda velocidad y está listo para ser usado.
- C. Introduzca desperdicios de comida. Las sobras de comida, mondaduras, mazorcas, cáscaras, semillas, huesos de frutas, huesos de carne pequeños y granos de café, bajarán por el drenaje. Para acelerar la disposición de los desperdicios de comida, corte o deshaga los huesos grandes, las cáscaras y las mazorcas. Los huesos grandes y las cáscaras fibrosas requieren mucho tiempo para triturar, y es más fácil simplemente botarlos

con el resto de la basura. No se alarme si el artefacto pierde velocidad al triturar. En realidad, el triturador está aumentando el momento de torsión (potencia de trituración) y está funcionando normalmente.

- D. Antes de apagar el triturador, deje que el agua fluya y el triturador funcione por aproximadamente 15 segundos después que la acción de triturar termine. Esto asegura que todos los desperdicios sean drenados por completo a través de la trampa y el drenaje.
- E. No se recomienda usar agua caliente mientras está funcionando el triturador. El agua fría mantendrá los desperdicios y las grasas en condición sólida para que el triturador pueda drenar las partículas.

SUGERENCIAS

- A. Asegúrese de que el triturador esté vacío antes de usar su máquina lavadora de trastos para que pueda drenarse debidamente.
- B. Posiblemente querrá dejar el tapón en el drenaje cuando no esté en uso el triturador para impedir que caigan utensilios dentro del triturador y objetos extraños.
- C. Su triturador es de construcción sólida y duradera para brindarle muchos años de servicio sin problemas. Triturará todos los desperdicios de comida normales, pero NO triturará ni eliminará objetos tales como el plástico, latas, tapas de botellas, vidrio, loza, cuero, tela, caucho, hilos o conchas de almejas, ostras, hojas de aluminio ni plumas.

8. LIMPIEZA Y MANTENIMIENTO

¡NO INTENTE LUBRICAR SU TRITURADOR!

El motor está permanentemente lubricado. El triturador se limpia automáticamente y restriega sus piezas internas después de cada uso.

NUNCA ponga lejía o limpiadores químicos de drenajes en el triturador, ya que producen una corrosión grave de las piezas metálicas. Si son usados, el daño que causan se puede detectar fácilmente, y todas las garantías quedarán anuladas. En el disco de cuchillas de acero inoxidable se pueden formar depósitos de minerales de agua, que dan la apariencia de estar oxidado. NO SE ALARME, los discos de cuchillas de acero inoxidable no se oxidan.

9. DIAGNÓSTICO Y LOCALIZACIÓN DE FALLAS

Antes de tratar de reparar o reemplazar, recomendamos que estudie lo siguiente:

RUIDOS FUERTES: (Además de los causados cuando se trituran huesos pequeños y huesos de frutas): Normalmente, estos son producidos cuando una cuchara, tapa de botella u otro objeto extraño es introducido accidentalmente. Para corregir esto, apague el interruptor eléctrico y cierre el agua. Después de que el triturador se haya detenido por completo, retire el objeto con tenazas de mango largo.

LA UNIDAD NO ARRANCA: Desenchufe el cordón de suministro y, dependiendo de su modelo y la configuración de cableado, coloque el interruptor de pared o el interruptor en la caja de cortacircuitos en la posición apagada OFF. Quite el tapón y/o el protector de chapoteo. Verifique que el disco de cuchillas gire libremente usando un mango de madera de escoba largo. Si el disco de cuchillas gira libremente, verifique si el botón de ajuste "reset" se disparó (vea 9A). El botón de ajuste "reset" es rojo y se encuentra en frente del codo de descarga, cerca de la parte inferior. Oprima el botón hasta que haga "clic" y se quede oprimido.

Si el botón de ajuste "reset" no se disparó, verifique si el alambre conectado al triturador tuvo un cortocircuito o está roto. Revise el interruptor de suministro eléctrico, la caja de fusibles o el cortacircuitos. Si los componentes de cableado y eléctricos están intactos, es posible que la unidad tenga problemas internos que requieren servicio o reemplazo.

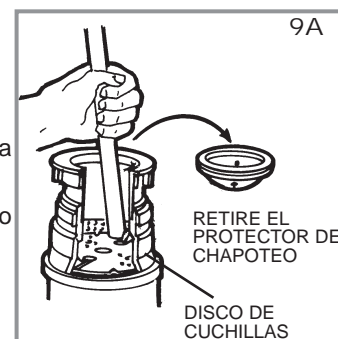
SI EL DISCO DE CUCHILLAS NO GIRA LIBREMENTE: Apague el triturador y verifique si hay algún objeto extraño trabado entre el disco de cuchillas y el anillo de trituración. Destrabe y quite el objeto girando el disco con un palo de madera de escoba. Si no hay ningún objeto extraño, puede que haya problemas internos.

FUGAS: Si la unidad tiene fugas en la parte superior, puede ser porque:

1. La brida del fregadero no está asentada debidamente (aplicar masilla o apretar).
2. El anillo de apoyo no está apretado debidamente.
3. Montura de cojín está defectuosa o indebidamente instalado.

Si la unidad tiene fugas en el codo de desperdicios, las mismas pueden deberse a que los tornillos de la brida del codo no están debidamente apretado.

Si el cordón de **alimentación es dañado**, este debe sustituirse por el fabricante, por su agente de servicio autorizado o por personal calificado con el fin de evitar un peligro.



BROYEUR À DÉCHETS

Manuel d'utilisation

- REMARQUE :** Ce broyeur à déchets a été conçu pour fonctionner uniquement dans une prise de 110 à 120 V, 60 Hz. Tout autre branchement risque de l'endommager.
- IMPORTANT :** Lisez attentivement toutes les instructions. Conservez ce manuel pour consultation future.
- AVERTISSEMENT :** Assurez-vous de consulter les CONSIGNES DE SÉCURITÉ PORTANT SUR LES RISQUES D'INCENDIE, DE CHOC ÉLECTRIQUE OU DE BLESSURES avant d'utiliser ce broyeur.

Voir l'encart pour plus de précisions sur votre nouveau broyeur

Numéro de modèle* _____ Numéro de série* _____

*Les renseignements ci-dessus apparaissent sur l'étiquette fixée sous le broyeur. Pour votre commodité, prenez en note les numéros de modèle et de série avant l'installation. La garantie n'est valide que sur preuve d'achat. Veuillez donc agraffer votre reçu ou preuve d'achat au présent manuel pour y avoir accès facilement. Garantie non transférable.

IMPORTANTES CONSIGNES DE SÉCURITÉ

CONSIGNES RELATIVES AUX RISQUES D'INCENDIE, D'ÉLECTROCUTION OU DE BLESSURES. VEUILLEZ CONSERVER CES CONSIGNES.

AVERTISSEMENT – Avant d'utiliser tout appareil électrique, des précautions élémentaires doivent être prises en tout temps, par exemple :

1. Lire attentivement toutes les instructions avant d'utiliser l'appareil.
2. Pour réduire le risque de blessures, une étroite supervision est nécessaire lorsqu'un appareil est utilisé à proximité de jeunes enfants.
3. Ne pas mettre les doigts ou les mains dans un broyeur à déchets.
4. Mettre l'interrupteur à la position d'arrêt avant de tenter de débloquer ou de retirer un objet du broyeur.
5. Utiliser un long objet en bois ou un manche à balais pour débloquer un broyeur.
6. Utiliser des pinces à longues poignées ou des pinces de plombier pour enlever des objets le broyeur. Si le broyeur est actionné magnétiquement, des outils non magnétiques doivent être utilisés.
7. Afin de réduire le risque de blessure causée par des substances qui pourraient être éjectées du broyeur, ne pas introduire les produits ou objets suivants dans le broyeur : coquilles de palourde ou d'huître; nettoyant caustique pour drain ou produits similaires; verre, porcelaine ou plastique; gros os (complets); métal (tel que bouchons de bouteille, boîtes de conserve, papier d'aluminium ou ustensiles); graisse chaude ou autres liquides chauds; enveloppes de maïs entières.
8. Lorsque le broyeur n'est pas en fonction, laisser le bouchon en place pour réduire le risque que des objets tombent dans le broyeur.
9. Ne PAS faire fonctionner le broyeur lorsque le protecteur anti-éclaboussures n'est pas en place.
10. Pour plus de détails sur les instructions de mise à la terre voir la section RACCORDEMENT ÉLECTRIQUE de ce manuel.

Le réceptacle auquel est raccordé cet appareil doit être contrôlé au moyen d'un interrupteur.

1. DÉMONTAGE DE L'ANCIEN APPAREIL

LES INSTRUCTIONS PEUVENT VARIER SELON LE MODÈLE.

Avant de passer à l'étape suivante, coupez l'alimentation électrique de la boîte de disjoncteurs ou de fusibles. Débranchez le broyeur.

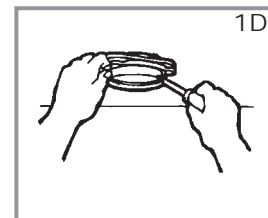
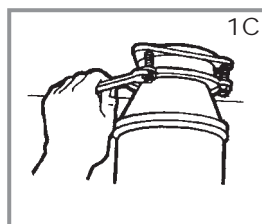
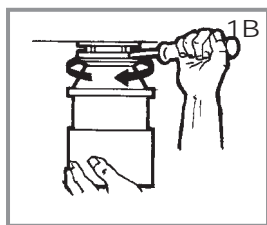
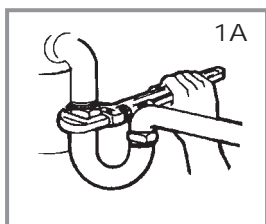
Si l'installation du nouveau broyeur est la même que celle de l'ancien, simplement inverser les instructions de montage figurant à la section 3. Si l'installation du nouveau broyeur est différente, suivre les instructions suivantes :

- A. À l'aide d'une clé à tube, déconnectez la conduite de vidange fixée au coude d'évacuation du broyeur (voir 1A).
- B. Retirez le broyeur du collet d'évier en tournant la bague de montage vers la gauche (voir 1B). Si vous êtes incapable de tourner la bague de montage, frappez sur l'une des extrémités de la bague à l'aide d'un marteau. Certains systèmes de montage ont des extrémités tubulaires. Vous aurez plus d'emprise en insérant un tournevis dans un tube pour tourner la bague de montage (voir 1B). Dans le cas de certains modèles de broyeurs, il se peut que vous deviez enlever ou desserrer les écrous des vis de montage (voir 1C). Dans le cas de certains broyeurs, il est nécessaire de retirer la bride de serrage.

Avertissement : Assurez-vous de soutenir le broyeur au cours de cette étape car il pourrait tomber lorsque la bague de montage est déconnectée.

- C. Pour enlever le reste du montage de l'évier, desserrez les vis de montage et poussez la bague de montage vers le haut. Le jonc de blocage se trouve en-dessous. Utilisez un tournevis pour enlever le jonc (voir 1D). Enlevez la bague de montage, l'anneau de protection et le joint d'étanchéité du collet d'évier. Certains montages nécessitent le dévissage d'un gros anneau qui tient en place le collet d'évier. Tirez le collet d'évier vers le haut et enlevez le mastic usagé.

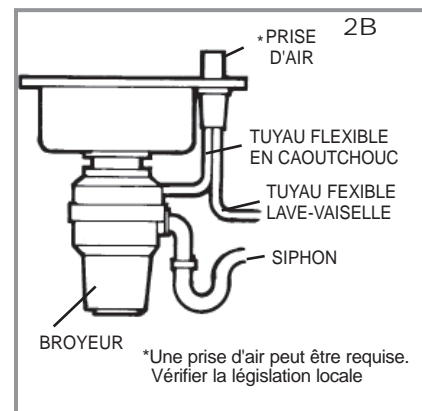
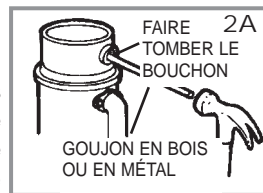
IMPORTANT : C'est un bon moment pour net-toyer les conduits d'évacuation à l'aide d'un furet ou d'une sonde spirale avant d'installer le nouveau broyeur




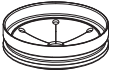







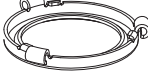

2. RACCORDEMENT AU LAVE-VAISSELLE

Si vous utilisez un lave-vaisselle, effectuez la procédure suivante : sinon, passez à l'étape 3.

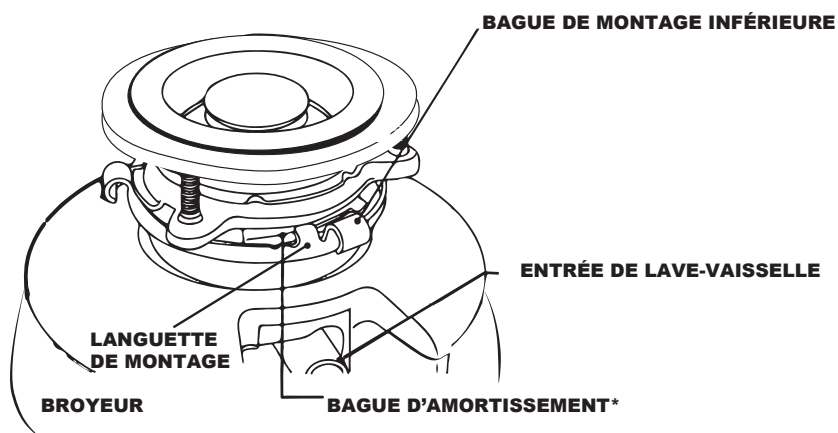
- A. À l'aide d'un outil arrondi (poinçon d'acier ou goujon en bois), faites tomber le bouchon (voir 2B, p. 2). Ne vous servez pas d'un tournevis ou d'un outil tranchant. (Une fois tombé dans le broyeur, vous pouvez le retirer du broyeur ou le broyer lorsque le broyeur sera en marche). Il sera broyé sans risque pour le broyeur mais l'opération pourrait prendre un certain temps.
- B. Branchez le tuyau flexible du lave-vaisselle (voir 2B) à l'aide d'une bride de serrage. Vérifiez l'étanchéité et la conformité de tous les raccordements de plomberie. Faites couler l'eau et vérifiez l'étanchéité.



3. INSTALLATION DE L'ASSEMBLAGE

- A**  **BOUCHON**
- B**  **PROTECTEUR ANTI-ÉCLABOUSSURES AMOVIBLE**
- C**  **COLLET D'ÉVIER**
- D**  **JOINT EN FIBRE**
- E**  **COLLET DE PROTECTION**
- F**  **BAGUE DE MONTAGE SUPÉRIEURE**
- G**  **VIS DE MONTAGE**
- H**  **BAGUE DE RETENUE**
- I**  **BAGUE D'AMORTISSEMENT***
- J**  **BAGUE DE MONTAGE INFÉRIEURE***
- K**  **SILVER GUARD® (compris dans l'emballage blanc pour les modèles Deluxe et Premium) Non compris dans les modèles canadiens.**

LIRE SOIGNEUSEMENT LES DIRECTIVES EN ENTIER AVANT DE DÉBUTER L'INSTALLATION.



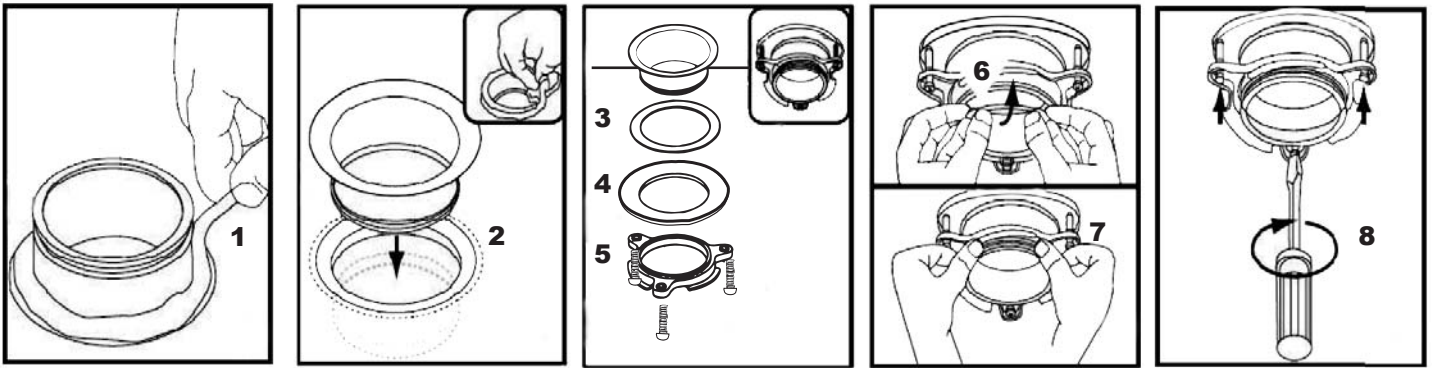
REMARQUE : une bague d'amortissement est comprise entre les bagues de montage supérieure et inférieure.

*Cette pièce reste en place pendant l'installation du broyeur.

REMARQUE : l'ensemble est assemblé adéquatement en usine; porter une attention particulière à l'ordre d'assemblage des diverses pièces du système.

- a. **La bague d'amortissement et la bague de montage inférieure demeurent rattachées au broyeur pendant l'installation.** Désassembler les autres pièces de l'assemblage en tournant la bague de montage inférieure (J) dans le sens des aiguilles d'une montre jusqu'à ce que la languette qui y est rattachée se libère de sa cannelure. Ceci permet de retirer le collet d'évier de l'assemblage en le glissant vers le haut. Prendre note de l'ordre d'assemblage de ces pièces qui sont montées selon l'ordre requis. Dévisser les 3 vis de montage jusqu'à ce que la bague de montage supérieure puisse être déplacée jusqu'au haut du collet de protection. Retirer la bague de retenue à l'aide d'un tournevis.
- b. Conserver ensemble les autres pièces selon l'ordre de leur retrait. Avant de raccorder le broyeur à l'assemblage sous l'évier, s'assurer que la bague de montage inférieure est en place et que la bague d'amortissement noire est adéquatement installée sur le dessus de la trémie. (Ne pas l'enlever.)

INSTALLATION DE L'ASSEMBLAGE (SUITE)



c. S'assurer que l'évier est propre. Enduire le rebord inférieur du collet d'évier de mastic de plomberie (1). À l'intérieur de l'évier, pousser le collet dans le drain de façon à bien le sceller (2). Une fois que le collet est en place, **NE PAS LE DÉPLACER OU LE TOURNER** pour éviter de briser le mastic.

d. **Placer un objet lourd, tel que le broyeur (utiliser une serviette pour éviter d'égratigner l'évier), sur le collet d'évier pour le maintenir en place.**

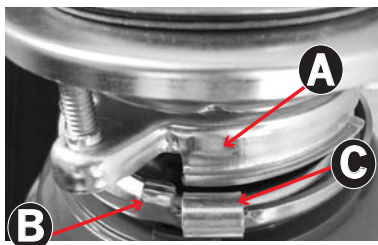
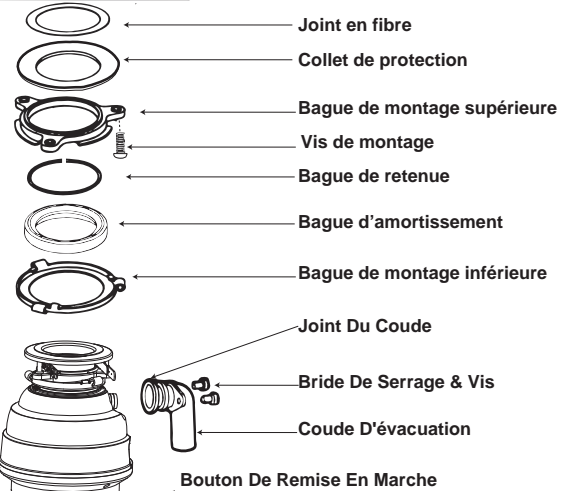
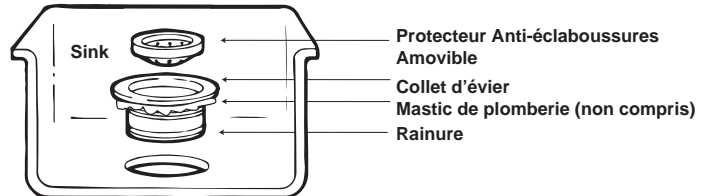
e. Prendre l'autre partie de l'assemblage mise de côté. Sous l'évier, insérer le joint d'étanchéité en fibre (3), puis le collet de protection (4) et enfin la bague de montage supérieure (5).

f. Maintenir en place les trois pièces pendant l'installation de la bague de retenue (6). Pour ce faire, ouvrir cette dernière et la bloquer en place dans la rainure du collet d'évier (7).

g. Serrer également et fermement les trois vis de montage contre le collet de protection (8). **Éviter de trop serrer.**

h. Retirer tout excédent de mastic.

i. Fixer le broyeur à la bague de montage supérieure en alignant les trois languettes de montage de la bague de montage inférieure au cannelures verticales de la bague de montage supérieure et en le tournant dans le sens des aiguilles d'une montre. Voir l'illustration ci-dessous.

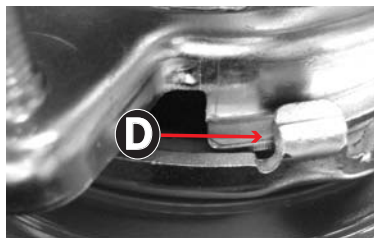


La bague de montage inférieure (qui fait partie du broyeur) est munie de trois languettes qui se fixent à la cannelure de la bague:

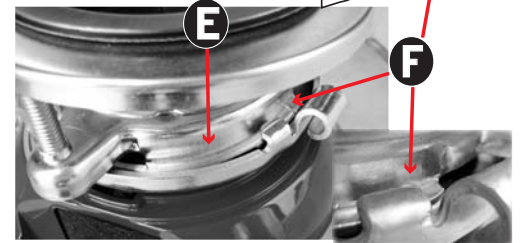
La languette A se trouve vis-à-vis la bague de montage supérieure.

La languette B est celle qui se glisse vers le haut dans la « cannelure ».

La languette C est la « patte » qui est utilisée pour faciliter la rotation de la bague de montage inférieure.



Soulever et tourner la bague de montage inférieure dans le sens contraire des aiguilles d'une montre jusqu'à ce que les trois languettes de montage se bloquent en place sur les crêtes (F) des cannelures verticales (D) de la bague de montage supérieure.



Pendant la rotation de la bague de montage inférieure, chaque languette glisse vers le haut sur la cannelure de la bague de montage (F) et verrouillage en position sur les crêtes (F). Utiliser un tournevis en guide de levier en cas de besoin. Si le broyeur doit être retiré, il suffit de cogner sur la patte dans le sens des aiguilles d'une montre à l'aide d'un marteau pour desserrer facilement la bague de montage inférieure.

4. RACCORDEMENT ÉLECTRIQUE

- A. Ce broyeur est conçu pour une utilisation domestique avec branchement sur le réseau électrique standard seulement.

Le réceptacle auquel est raccordé cet appareil doit être contrôlé au moyen d'un interrupteur.

MISE EN GARDE: UN RACCORDEMENT INCORRECT DE L'ÉQUIPEMENT DE MISE À LA TERRE PEUT ENTRAÎNER DES RISQUES D'ÉLECTROCUTION. CONSULTEZ UN ÉLECTRICIEN OU UN RÉPARATEUR SI VOUS N'ÊTES PAS TOTALEMENT SÛR QUE L'APPAREIL SOIT CORRECTEMENT MIS À LA TERRE. NE MODIFIEZ PAS LA FICHE FOURNIE AVEC L'APPAREIL SI ELLE NE PEUT SE BRANCHER À LA PRISE DE COURANT. UTILISEZ UNE PRISE DE COURANT ADÉQUATE INSTALLÉE PAR UN ÉLECTRICIEN QUALIFIÉ.

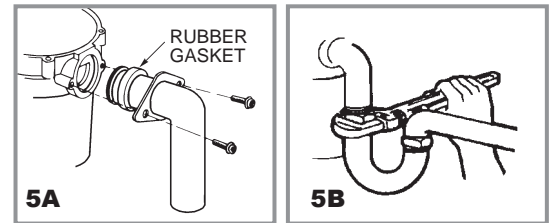
INSTRUCTIONS DE MISE À LA TERRE

BROYEURS ÉQUIPÉS D'UN CORDON D'ALIMENTATION MUNI D'UNE FICHE DE MISE À LA TERRE.

- B. Cet appareil doit être mis à la terre. Dans le cas d'une défectuosité ou d'une panne, la mise à la terre permet de réduire les risques d'électrocution. Cet appareil est équipé d'un cordon d'alimentation muni d'un conducteur de mise à la terre et d'une fiche de mise à la terre. La fiche doit être branchée dans une prise de courant adéquatement installée et mise à la terre conformément aux règlements locaux. Si le cordon d'alimentation est endommagé, il doit être remplacé par le fabricant, son représentant ou une personne qualifiée de façon à éviter tout risque d'électrocution. L'appareil doit être installé de façon à ce que le bouton de remise en marche soit facilement accessible. **Ablation d'un cordon d'alimentation ci-jointe ou fiche annule la garantie.**

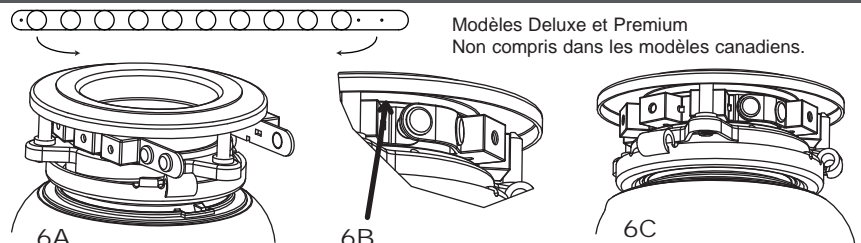
5. BRANCHEMENT DU COUDE D'ÉVACUATION

- A. Reliez le coude d'évacuation au broyeur (voir 5A), passez ensuite à l'étape 6 et reliez l'extrémité inférieure du coude au collecteur (voir 5B). Si vous employez un tuyau droit, sa lèvre doit être semblable à celle du tuyau coudé. Retirez le joint d'étanchéité du coude et installez-le sur le tuyau droit, la partie plate du joint en direction de l'orifice d'évacuation du broyeur.
- B. Si vous branchez un lave-vaisselle sur le même circuit, retournez à l'étape 2B. Sinon, assurez-vous de l'étanchéité et de la conformité de tous les raccordements de plomberie. Faites couler l'eau et vérifiez l'étanchéité.



6. FIXATION DU COLLET SILVER GUARD® AU COLLET D'ÉVIER

Une fois que l'installation du broyeur est terminée; à l'aide de la partie lisse de la courroie noire qui fait face au collet d'évier métallique, faire passer le Silver Guard® dans les vis de montage (6A). Placer le Silver Guard® entre le collet de protection et la bague de montage supérieure. Prendre note (6B) que le Silver Guard® doit se trouver sous le collet de l'anneau de protection. Lorsque le Silver Guard® est dans la bonne position, appuyer fermement sur les presseurs pour fixer la courroie (6C).



MISE EN GARDE : le Silver Guard® n'est pas un jouet; le garder hors de la portée des enfants avant son installation.

7. MODE D'EMPLOI

Les marteaux peuvent cliqueter lorsqu'ils se mettent en place. C'est normal.

- A. Retirez le bouchon d'évier. Faites couler l'eau froide à débit moyen.
- B. Actionnez l'interrupteur; votre broyeur est prêt à fonctionner à plein régime.
- C. Jetez dans l'évier les restes de table, les épluchures de légumes, les pelures, les pépins, les noyaux et les moûts de café. Pour accélérer l'évacuation des déchets, cassez ou coupez les gros os, pelures et épis. Les gros os et les matières fibreuses seront longs à pulvériser et il sera souvent plus facile de les jeter directement à la poubelle. Ne vous inquiétez pas si la vitesse du broyeur diminue pendant le broyage. La vitesse du broyeur augmente son couple (puissance de broyage) et fonctionne normalement.
- D. Avant d'arrêter l'interrupteur, laissez l'eau couler et le broyeur en marche pendant environ 15 secondes après que le broyage ait cessé. Vous serez ainsi assuré que tous les déchets ont été complètement évacués dans le tuyau d'évacuation des eaux

usées.

- E. Il est déconseillé de faire fonctionner le broyeur avec de l'eau chaude. L'eau froide solidifie les graisses et facilite leur évacuation.

CONSEILS UTILES

- A. Le broyeur doit être vide avant d'utiliser votre lave-vaisselle de façon à assurer une évacuation adéquate.
- B. Il est recommandé de laisser le bouchon d'évier en place lorsque le broyeur n'est pas en service pour éviter que des ustensiles ou objets ne tombent dans le broyeur.
- C. Votre broyeur est de construction robuste et il vous donnera de nombreuses années de service sans souci. Il est conçu pour broyer tous les restes alimentaires habituels mais il NE PEUT être utilisé pour broyer des objets comme le plastique, les boîtes de conserve, les bouchons de flacons, le verre, la porcelaine, le cuir, les chiffons, le caoutchouc, la corde, les coquilles de palourdes et d'huîtres, le papier d'aluminium ou les plumes.

8. NETTOYAGE ET ENTRETIEN

NE LUBRIFIEZ PAS VOTRE BROYEUR!

Le moteur est lubrifié à vie. Le broyeur est auto-nettoyant, il récuré les pièces internes à chaque utilisation.

NE JAMAIS mettre de lessive ou autre nettoyeur chimique dans le broyeur, ils entraîneraient la corrosion des pièces en alliage. Si vous utilisez l'un de ces produits, vous risquez de causer des dommages et toute garantie serait alors nulle et sans effet. Des résidus de minéraux contenus dans l'eau peuvent se former sur le disque de broyage en acier inoxydable et donner une impression de rouille. NE VOUS INQUIÉTEZ PAS, le disque en acier inoxydable ne se corrodera pas.

9. RECHERCHE DES PANNES

Avant d'appeler un réparateur, nous vous recommandons de revoir les points suivants :

BRUITS INTENSES (autres que le bruit du broyage des os et des noyaux de fruits) : Ces bruits sont généralement causés par une cuillère, une capsule de bouteille ou tout autre objet semblable tombé accidentellement dans le broyeur. Pour y remédier, arrêtez l'eau et le broyeur à l'aide de l'interrupteur. Attendez que le disque se soit arrêté, retirez le protecteur anti-éclaboussures, enlevez l'objet à l'aide de longues pinces et remplacez le protecteur.

L'APPAREIL NE DÉMARRE PAS : Débranchez le cordon d'alimentation ou fermez le broyeur à l'aide de l'interrupteur mural ou de la boîte de disjoncteurs, dépendamment du modèle de votre broyeur et de la configuration du câblage. Enlevez le bouchon et/ou le protecteur anti-éclaboussures. Vérifiez si le disque peut tourner librement à l'aide d'un manche à balai en bois. Si le disque tourne librement, remplacez le protecteur anti-éclaboussures et vérifiez si le bouton de remise en marche a été déclenché. Le bouton de remise en marche est rouge et situé à l'avant du broyeur. Appuyez sur le bouton jusqu'à ce qu'il s'enclenche et qu'il reste enclenché.

Si le bouton de remise en marche n'a pas été déclenché, vérifiez qu'il n'y ait pas de fil d'alimentation cassé ou en court circuit. Vérifiez l'interrupteur mural, la boîte à fusibles ou de disjoncteurs. Si les fils d'alimentation et les organes électriques sont intacts, l'appareil présente un problème interne qui nécessite un appel de service ou un remplacement.

SI LE DISQUE NE TOURNE PAS LIBREMENT : Coupez l'alimentation du broyeur et vérifiez ensuite qu'aucun objet étranger ne soit logé entre le disque et la couronne de broyage. Délogez l'objet en faisant tourner le disque à l'aide d'un manche à balai en bois (voir 9A). S'il n'y a aucun objet étranger, il se peut qu'il s'agisse d'un problème interne.

FUITES : Si le haut de l'appareil fuit, cela peut être causé par :

1. Installation incorrecte du collet d'évier (centrage du joint, mastic ou serrage).
2. Le collier de serrage n'est pas suffisamment serré.
3. Joint amortisseur défectueux ou incorrectement installé.

Si la fuite se situe au niveau du coude d'évacuation, elle peut être causée par un serrage inadéquat des vis de la bride de serrage.

